



OWNER'S MANUAL  
MANUEL DU PROPRIÉTAIRE  
MANUAL DEL PROPIETARIO



<b>BEVERAGE CENTER</b> Owner's Manual.....	<b>1 - 10</b>
<b>CENTRE DE BREUVAGES</b> Manuel du propriétaire.....	<b>11 - 20</b>
<b>CENTRO DE BEBIDAS</b> Manual del propietario.....	<b>21 - 30</b>

<b>MODEL • MODÈLE • MODELO</b> <b>SPRBC056D1SS</b>
---

# Welcome

Welcome to the Silhouette family. We are proud of our quality products and we believe in dependable service. We suggest that you read this owner's manual before plugging in your new appliance as it contains important operation information, safety information, troubleshooting and maintenance tips to ensure the reliability and longevity of your appliance.

Visit [www.SilhouetteAppliances.com](http://www.SilhouetteAppliances.com) to access self service tools, FAQs and much more. For additional assistance call **1-844-455-6097**.

**Note the information below; you will need this information to obtain service under warranty.**

**You must provide the original purchase receipt to validate your warranty and receive service.**

**Model Number:** \_\_\_\_\_

**Serial Number:** \_\_\_\_\_

**Date of Purchase:** \_\_\_\_\_

## Need Help?

Before you call for service, here are a few things you can do to help us serve you better.

**Read this owner's manual:**

It contains instructions to help you use and maintain your appliance properly.

**If you receive a damaged appliance:**

Immediately contact the retailer or builder that sold you the appliance.

**Save time and money:**

Check the troubleshooting section at the end of this manual before calling. This section will help you solve common problems that may occur.



1-844-455-6097



## Important Safety Information

### READ AND FOLLOW ALL SAFETY INSTRUCTIONS

#### SAFETY REQUIREMENTS

**DANGER:** Risk of fire or explosion. Flammable refrigerant used. Do not puncture refrigerant tubing.

- Do not use mechanical devices to defrost refrigerator.
- Ensure that servicing is done by factory authorized service personnel, to minimize product damage or safety issues.
- If the power supply cord is damaged, it must be replaced by the manufacturer, its service agent or similar qualified person in order to avoid hazard.
- Consult repair manual or owner's guide before attempting to service this product. All safety precautions must be followed.
- Dispose of properly in accordance with federal or local regulations.
- Follow handling instructions carefully.
- Do not store explosive substances such as aerosol cans with a flammable propellant in this appliance.

**WARNING:** Keep ventilation openings, in the appliance enclosure or in the built-in structure, clear of obstruction.

**WARNING:** Do not use mechanical devices or other means to accelerate the defrosting process, other than those recommended by the manufacturer.

**WARNING:** Do not damage the refrigerant circuit.

**WARNING:** Do not use electrical appliances inside the food storage compartments of the appliance, unless they are of the type recommended by the manufacturer.

**CAUTION:** Children should be supervised to ensure that they do not play with the appliance.

**DANGER:** Risk of child entrapment. Before throwing away an old appliance:

- Remove the door or lid.
- Leave shelves in place so that children may not easily climb inside.

**DANGER:** Do not add a lock to the door or lid. This can cause child entrapment and harm.

#### SAFETY REQUIREMENTS

This appliance is not intended for use by persons (including children) whose physical, sensory or mental capabilities may be different or reduced, or who lack experience or knowledge, unless such persons receive supervision or training to operate the appliance by a person responsible for their safety.

This appliance is intended to be used in household and similar applications such as:

- Staff kitchen areas in shops, offices and other working environments;
- Farm houses and by clients in hotels, motels and other residential type environments;
- Bed and breakfast type environments;
- Catering and similar non-retail applications.

#### GROUNDING INSTRUCTIONS

This appliance must be grounded. Grounding reduces the risk of electrical shock by providing an escape wire for the electrical current.

This appliance has a cord that has a grounding wire with a 3-prong plug. The power cord must be plugged into an outlet that is properly grounded. If the outlet is a 2-prong wall outlet, it must be replaced with a properly grounded 3-prong wall outlet. The serial rating plate indicates the voltage and frequency the appliance is designed for.

**WARNING** - Improper use of the grounding plug can result in a risk of electric shock. Consult a qualified electrician or service agent if the grounding instructions are not completely understood, or if doubt exists as to whether the appliance is properly grounded.

**Do not connect your appliance to extension cords or together with another appliance in the same wall outlet.** Do not splice the power cord. Do not under any circumstances cut or remove the third ground prong from the power cord. Do not use extension cords or ungrounded (two prongs) adapters.

**SAVE THESE INSTRUCTIONS!**

# INSTALLATION INSTRUCTIONS

## LOCATION

- Two people should be used when moving the appliance.
- Remove interior and exterior packaging prior to installation. Wipe the outside of the appliance with a soft, dry cloth and the inside with a lukewarm wet cloth.
- Place the appliance on a floor that is strong enough to support it when it is fully loaded.
- Do not place the appliance in direct sunlight or near sources of heat, such as a stove or heater, as this can increase electrical consumption. Extreme cold ambient temperatures may also cause the appliance to perform improperly.
- Do not use the appliance near water, for example in a wet basement or near a sink.
- This appliance is intended for household use only. It is not designed for outside installation, including anywhere that is not temperature controlled (garages, porches, vehicles, etc.).
- Before connecting the appliance to a power source, let it stand upright for approximately 6 hours. This will reduce the possibility of a malfunction in the cooling system from handling during transportation.
- This appliance is 23.8 inches (60.5 cm) wide by 34.1 inches (86.5 cm) high by 23.7 inches (60.1 cm) deep.

## FRONT VENT

This appliance is front breathing. Do not block the front air vent as this will result in high operating temperatures, higher energy usage and possible system overheating and failure.

## LEVELING INSTRUCTIONS

There is an adjustable leg on the bottom of the appliance that can be turned up or down to ensure that the appliance is level. It is important that the appliance is level to minimize noise and vibration. To level the appliance:

1. Turn the leveling leg counter-clockwise as far as it will go, until the top of the foot is touching the bottom of the cabinet.
2. Slowly turn the leveling leg clockwise until the appliance is level.

## IMPORTANT

Ensure that the door is fully closed when the appliance is in operation. Failure to fully close the door can lead to excessive condensation and potential water damage to flooring under the appliance. Danby will not be responsible for damages from misuse.

# INSTALLATION INSTRUCTIONS

## PREPARING THE ENCLOSURE

Gloves and safety goggles should be worn during installation.

It is not recommended to install the appliance into a corner or directly beside a wall. The door will need to be opened more than 90° to allow full extension of the shelves. If it is necessary to place the unit next to a wall or in a corner, leave at least 2-4 inches (5-10 cm) of space between the wall and the appliance to allow for the door opening.

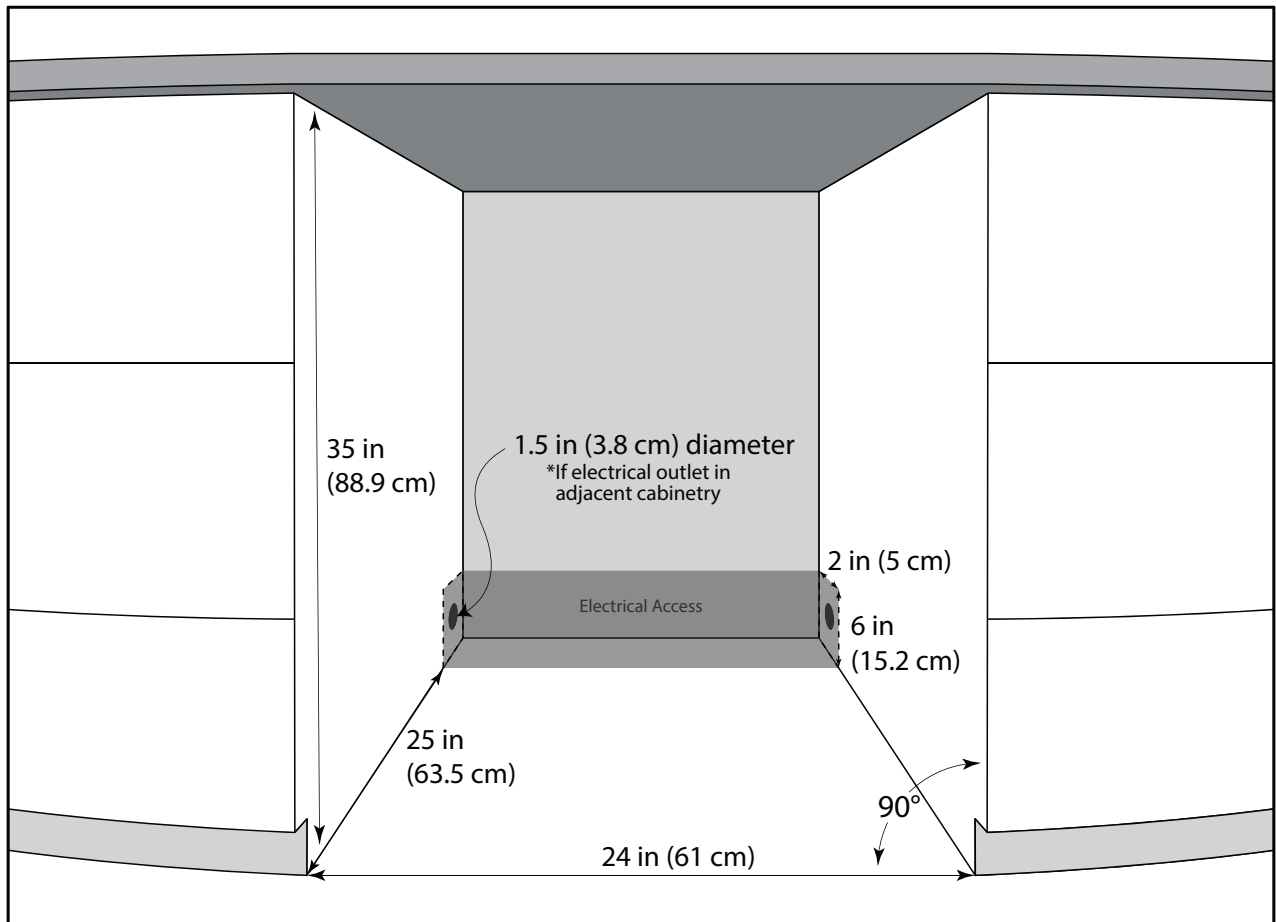
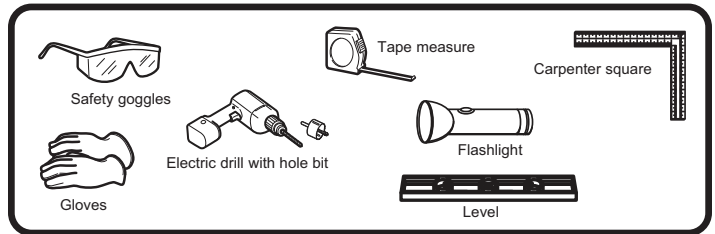
The cabinet opening must be at least 24 inches (61 cm) wide by 35 inches (88.9 cm) high by 25 inches (63.5 cm) deep.

**Note:** The listed depth requirement is assuming that the electrical outlet is located in the adjacent cabinetry or flush mounted in the rear wall, not surface mounted inside the enclosure.

If the electrical outlet is located inside adjacent cabinetry, cut a 1.5 inch (3.8 cm) diameter hole to admit the power cord. If the cabinet wall is metal, the hole edge must be covered with a bushing or grommet.

## REQUIRED TOOLS

- Safety goggles
- Gloves
- Tape measure
- Carpenter square
- Level
- Flashlight
- Electric drill with hole bit



# OPERATING INSTRUCTIONS

## CONTROL PANEL

1. **Standard mode indicator**
2. **Energy saving mode indicator**
3. **Sabbath mode indicator**
4. **Demo mode indicator**
5. **Interior light colour setting indicator**
6. **Alarm indicator**
7. **Disable door alarm indicator**
8. **Display panel:** Shows the set temperature.
9. **Power indicator:** Illuminates when the compressor is running.
10. **Temperature scale indicator**
11. **Increase and decrease buttons:** Used to increase or decrease the set temperature in 1° increments.
12. **Mode button:** Press to toggle between standard and energy saving mode. The relevant indicator light will illuminate. The appliance will default to standard mode.
13. **Light Button:** Used to set the light mode.
14. **Power button:** Press to turn the appliance on. Press and hold for 3 seconds to turn the appliance off.

## INTERIOR LIGHT

The interior light will default to turning on and off when the door is opened or closed.

Press the light button once to turn the light off while the door is open. The light will resume default functioning when the door is closed.

There are four light mode settings:

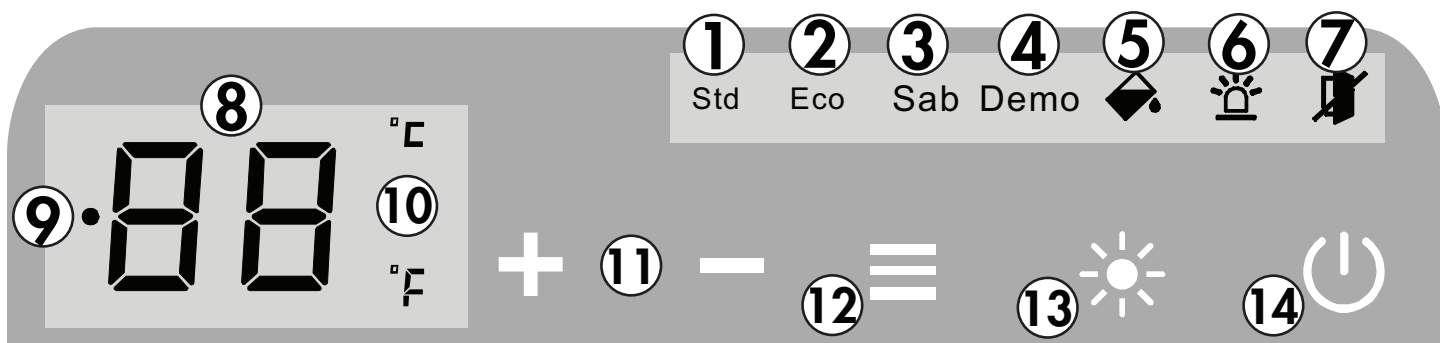
- L1: The light will turn on and off when the door is opened and closed.
- L2: The light will remain on indefinitely at 100% illumination.
- L3: The light will remain on for 120 minutes at 100% illumination and then resume default operation.
- L4: The light will remain on for 120 minutes at 50% illumination and then resume default operation.

To change the light setting, press the light button once to display the current setting. Press the light button repeatedly to choose the desired light setting. The display will flash the chosen setting 5 times to confirm.

## INTERIOR LIGHT COLOR

The interior light can be set to either white or blue.

Press and hold the light button for 3 seconds until the interior light color symbol flashes, then press the light button to toggle between a white or blue light. The interior light colour setting indicator light will flash 5 times to confirm.



# OPERATING INSTRUCTIONS

## FUNCTION INSTRUCTION

The default temperature setting is 43°F (6°C). The default temperature scale is °F.

To switch the display between °F and °C, press and hold the increase and decrease buttons simultaneously for approximately 3-5 seconds.

The temperature can be set as low as 34°F (1°C) or as high as 50°F (10°C).

Actual temperature inside the appliance can vary based on ambient temperature, how often the door is opened and how many warm bottles have recently been added to the appliance.

If the appliance loses power, the control panel will remember the set temperature. Once power is restored, the appliance will return to normal functioning automatically.

If the inner cabinet temperature is higher than 73°F (23°C) for one hour, the error code "HI" will show on the display, the alarm indicator light will illuminate and an alarm will sound.

If the inner cabinet temperature is lower than 28.4°F (-2°C) the error code "LO" will show on the display, the alarm indicator light will illuminate and an alarm will sound.

If the inner cabinet temperature remains at 28.4°F (-2°C) for more than 30 minutes, the error code "CL" will show on the display, the alarm indicator light will illuminate and an alarm will sound. The appliance will stop functioning to prevent the contents from freezing.

## DEMO MODE

Demo mode is only intended to be used on the sales floor. It can be used to show how the appliance will look while running without engaging the compressor or the cooling function. The fan will run on low speed but all alarms and beeping will be disabled.

Press and hold the increase button and the power button at the same time for 10 seconds to enable demo mode. The demo mode indicator light will illuminate.

Press and hold the increase button and the power button at the same time for 10 seconds to return the appliance to standard mode.

## OPEN DOOR ALARM

If the door is not closed completely for 5 minutes, the alarm indicator light will illuminate and an alarm will sound.

The open door alarm can be silenced temporarily by pressing the power button once. The alarm indicator light will remain illuminated and the interior light will continue to flash until the door is closed.

If the door is closed and the alarm continues to sound, check that the actuator at the bottom of the door is making contact with the switch on the appliance.

## DISABLE OPEN DOOR ALARM

The audible door alarm can be permanently turned off if desired. The alarm indicator light and the interior light will continue to illuminate if the door is left open for more than 5 minutes.

To disable the open door alarm, press and hold the mode button and the light button at the same time for 3 seconds until the disable door alarm indicator light illuminates. In future if the door is left open the alarm indicator light and the interior light will still flash, but the audible door alarm will not sound.

## ENERGY SAVING MODE

Energy saving mode will turn off the interior light, the control panel lights and the display. The energy saving mode indicator light will illuminate.

Pressing the increase or decrease button will cause the display to turn on for 5 seconds before resuming energy saving mode.

## SABBATH MODE

Sabbath mode can be used to disable all interior lights and sounds from the appliance.

Press and hold the increase button and the mode button at the same time for 5 seconds to enable Sabbath mode. The SAB symbol will illuminate and the display will show "Sb" to indicate that Sabbath mode is active.

Press and hold the increase button and the mode button for 5 seconds to return the appliance to standard mode.

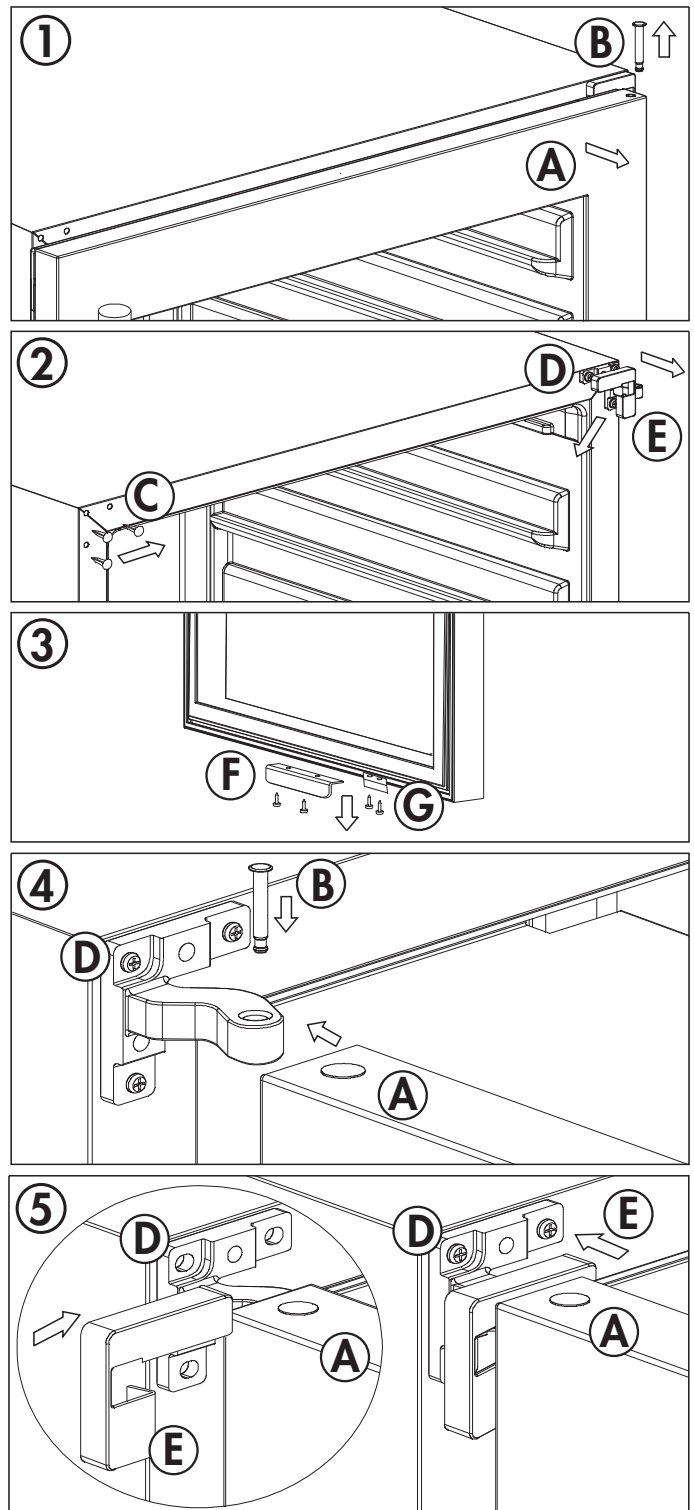
# OPERATING INSTRUCTIONS

## DOOR REVERSAL INSTRUCTIONS

If the appliance is placed on its back or side for any length of time during this process, it must be allowed to remain upright for 6 hours before plugging it in to avoid damage to the internal components.

1. Remove the door pins from the upper and lower hinges. Remove the door from the cabinet.
2. Remove the hinge covers from the upper and lower hinges. Remove the hinges from the cabinet. Remove the screw hole covers from the left side of the cabinet. Install the screw hole covers in the screw holes on the right side of the cabinet. Install the upper right hinge on the bottom left of the cabinet. It doubles as the lower left hinge. Install the lower right hinge on the upper left side of the cabinet. It doubles as the upper left hinge.
3. Remove the door latch and the actuator from the bottom of the door. Install them both in the screw holes at the top of the door.
4. The door will need to be rotated 180° before being reinstalled on the cabinet to ensure that the door handle is on the correct side and that the door latch and actuator are at the bottom of the door. Ensure that the top of the door is aligned with the top of the cabinet, that the actuator is making contact with the switch and that the rubber gasket is making contact with the cabinet all the way around the door before tightening the hinge screws.
5. Open the door 90° and reinstall the hinge covers.

- |                      |
|----------------------|
| A. Door              |
| B. Door pin          |
| C. Screw hole cover  |
| D. Upper hinge       |
| E. Upper hinge cover |
| F. Latch             |
| G. Actuator          |



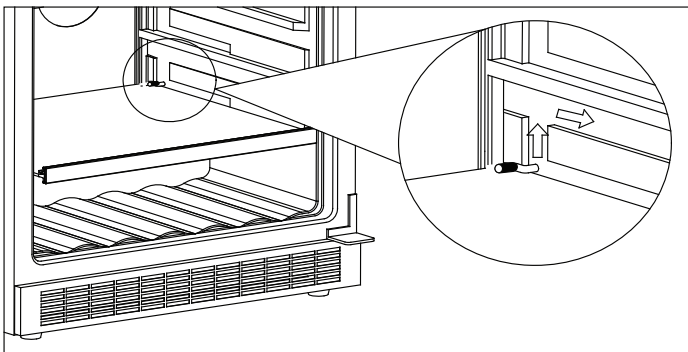


## OPERATING INSTRUCTIONS

### SHELF INSTRUCTIONS

Do not cover shelves with aluminum foil or any other material as this will impede air flow inside the cabinet and can adversely affect the interior cabinet temperature.

1. To remove a shelf, lift up the back of the shelf so that the shelf pins are above the locking track. Slide the shelf out of the unit to remove.
2. To replace a shelf, ensure the shelf pins are sitting on top of the locking track. Slide the shelf into the appliance until the shelf pin locks into place.

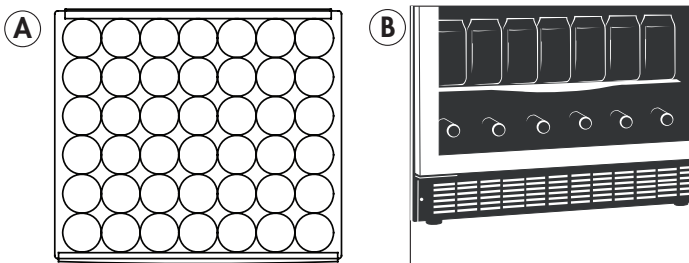


### STORAGE INSTRUCTIONS

The maximum capacity of this appliance is 126 beverage cans in 355 ml size and 6 wine bottles in 750 ml size.

Each glass shelf can hold a maximum of 42 cans. See figure A.

The wine rack at the bottom of the appliance can hold a maximum of 6 wine bottles. See figure B.



## CARE & MAINTENANCE

### CLEANING

Ensure the appliance is unplugged before cleaning.

- To clean the inside of the appliance, use a soft cloth and a solution of a tablespoon of baking soda to one quart of water or a mild soap solution or some mild detergent.
- Wash removable shelves in a mild detergent solution, then dry and wipe with a soft cloth.
- Clean the outside with a soft, damp cloth and some mild detergent.
- It is important to keep the area clean where the door seals against the cabinet. Clean this area with a soapy cloth. Rinse with a damp cloth and let dry.

**Note:** Do not use cleaners containing ammonia or alcohol on the appliance. Ammonia or alcohol can damage the appearance of the appliance. Never use any commercial or abrasive cleaners or sharp objects on any part of the appliance.

### DEFROST

This unit is equipped with an automatic defrost function and does not require manual defrosting. Defrost water from the appliance is channeled into a drip tray located above the compressor. Heat transfer from the compressor causes the defrost water to evaporate.

### DISPOSAL

This appliance may not be treated as regular household waste, it should be taken to the appropriate waste collection point for recycling of electrical components. For information on local waste collection points, contact your local waste removal agency or government office.

### ERROR CODES

If the "HI", "LO" or "CL" error codes appear on the display, press the power button once to silence the alarm.

If the error codes reappear on the display and remain for more than 5 minutes, a power reset may rectify the issue. Unplug the appliance, wait 5 minutes and then plug the unit back in.

If the error code persists after a power reset, contact consumer care or an authorized service agent.

## TROUBLESHOOTING

**Silhouette Consumer Care: 1-844-455-6097**

**Hours of operation:**

Monday to Thursday 8:30 am - 6:00 pm Eastern Standard Time

Friday 8:30 am - 4:00 pm Eastern Standard Time

Information in this manual is subject to change without notice.

PROBLEM	POSSIBLE CAUSE
<p><b>No power</b></p>	<ul style="list-style-type: none"> <li>• A fuse may be blown or the circuit breaker tripped</li> <li>• Plug not fully inserted into the wall outlet</li> </ul>
<p><b>Internal temperature not cold enough</b>  <b>Appliance runs continuously</b>  <b>Alarm sounding and “HI” on the display panel</b>  <b>Alarm indicator light is illuminated</b></p>	<ul style="list-style-type: none"> <li>• Door is not shut properly or opened excessively</li> <li>• Exhaust vent is obstructed</li> <li>• Recently added a large quantity of warm bottles to the cabinet</li> <li>• Close proximity to heat source or direct sunlight</li> <li>• Ambient temperature or humidity is very high</li> <li>• Possible system leak, evaporator fan failure or compressor failure</li> <li>• Demo mode is active</li> <li>• The actuator on the bottom of the door is not making contact with the switch on the cabinet</li> </ul>
<p><b>Condensation on the cabinet or door</b></p>	<ul style="list-style-type: none"> <li>• Door is not shut properly or opened excessively</li> <li>• Ambient temperature or humidity is very high</li> </ul>
<p><b>Alarm sounding and “LO” on the display panel</b>  <b>Alarm indicator light is illuminated</b></p>	<ul style="list-style-type: none"> <li>• Ambient temperature is excessively low</li> <li>• Sensor failure</li> <li>• Evaporator temperature is too low</li> </ul>
<p><b>Display is not functioning and interior light will not turn on</b></p>	<ul style="list-style-type: none"> <li>• The appliance may be operating in energy saving mode or Sabbath mode</li> </ul>

*Silhouette*

## LIMITED "IN HOME" WARRANTY

This quality product is warranted to be free from manufacturer's defects in material and workmanship, provided that the unit is used under the normal operating conditions intended by the manufacturer.

This warranty is available only to the person to whom the unit was originally sold by Danby Products Limited (Canada) or Danby Products Inc. (U.S.A.) (hereafter "Danby") or by an authorized distributor of Danby, and is non-transferable.

### TERMS OF WARRANTY

Plastic parts are warranted for thirty (30) days from the date of purchase, with no extensions provided.

**First 24 months** During the first **twenty four (24) months**, any functional parts of this product found to be defective, will be repaired or replaced, at warrantor's option, at no charge to the original purchaser.

**To obtain service** Contact the dealer where the unit was purchased, or contact the nearest authorized Danby service depot, where service must be performed by a qualified service technician. If service is performed on the unit by anyone other than an authorized service depot, all obligations of Danby under this warranty shall be void.

**Boundaries of in-home service** Danby reserves the right to limit the boundaries of "In Home Service" to the proximity of an authorized service depot. Any appliance requiring service outside the limited boundaries of "In Home Service", will be the consumer's responsibility to transport at their own expense to the original point of purchase or a service depot for repair. If the appliance is installed in a location that is **100 kilometers (62 miles)** or more from the nearest service center, it must be delivered to the nearest authorized Danby Service Depot by the purchaser.

Transportation charges to and from the service location are not protected by this warranty and are the responsibility of the purchaser.

Nothing within this warranty shall imply that Danby will be responsible or liable for any spoilage or damage to food or other contents of this appliance, whether due to any defect of the appliance, or its use, whether proper or improper.

### EXCLUSIONS

Save as herein provided, by Danby, there are no other warranties, conditions, representations or guarantees, express or implied, made or intended by Danby or its authorized distributors and all other warranties, conditions, representations or guarantees, including any warranties, conditions, representations or guarantees under any Sale of Goods Act or like legislation or statute is hereby expressly excluded. Save as herein provided, **Danby shall not be responsible for any damages to persons or property, including the unit itself, howsoever caused or any consequential damages arising from the malfunction of the unit and by the purchase of the unit, the purchaser does hereby agree to indemnify and hold harmless Danby from any claim for damages to persons or property caused by the unit.**

### GENERAL PROVISIONS

No warranty or insurance herein contained or set out shall apply when damage or repair is caused by any of the following:

- 1) Power failure.
- 2) Damage in transit or when moving the appliance.
- 3) Improper power supply such as low voltage, defective house wiring or inadequate fuses.
- 4) Accident, alteration, abuse or misuse of the appliance such as inadequate air circulation in the room or abnormal operating conditions (ie. extremely high or low room temperature).
- 5) Use for commercial or industrial purposes (ie. If the appliance is not installed in a domestic residence).
- 6) Fire, water damage, theft, war, riot, hostility, acts of God such as hurricanes, floods etc.
- 7) Service calls resulting in customer education.
- 8) Improper Installation (ie. Building-in of a free standing appliance or using an appliance outdoors that is not approved for outdoor application, including but not limited to: garages, patios, porches or anywhere that is not properly insulated or climate controlled).

Proof of purchase date will be required for warranty claims; retain bills of sale. In the event that warranty service is required, present the proof of purchase to our authorized service depot.

**Warranty Service  
In Home**

Danby Products Limited  
PO Box 1778, Guelph, Ontario, Canada N1H 6Z9  
Telephone: (519) 837-0920 FAX: (519) 837-0449

**1-844-455-6097  
04/17**

Danby Products Inc.  
PO Box 669, Findlay, Ohio, U.S.A. 45840  
Telephone: (419) 425-8627 FAX: (419) 425-8629

# Bienvenue

Bienvenue à la famille Silhouette. Nous sommes fiers de la qualité de nos produits et nous croyons en le service fiable. Nous vous suggérons de lire ce manuel d'utilisation avant de brancher votre nouvel appareil car il contient des informations importantes sur l'utilisation, la sécurité, le dépannage et la maintenance, afin d'assurer la fiabilité et la longévité de votre appareil.

Visitez [www.SilhouetteAppliances.com](http://www.SilhouetteAppliances.com) pour accéder aux outils d'autoservice, aux FAQ et bien plus encore. Pour obtenir de l'aide supplémentaire, composez **1-844-455-6097**.

**Notez les informations ci-dessous; Vous aurez besoin de cette information pour obtenir un service sous garantie.**

**Vous devez fournir le reçu d'achat original pour valider votre garantie et recevoir le service.**

**Numéro de modèle:** \_\_\_\_\_

**Numéro de serie:** \_\_\_\_\_

**Date d'achat:** \_\_\_\_\_

## Besoin d'assistance?

Avant d'appeler pour service, voici quelques choses que vous pouvez faire pour nous aider à mieux vous servir.

### **Lire ce manuel du propriétaire:**

Il contient des instructions pour vous aider à utiliser et à maintenir votre appareil correctement.

### **Si vous recevez un appareil endommagé:**

Contactez immédiatement le revendeur ou l'entrepreneur qui vous a vendu l'appareil.

### **Gagnez du temps et de l'argent:**

Avant d'appeler pour service, consultez la section de dépannage à la fin de ce manuel. Cette section vous aidera à résoudre les problèmes courants pouvant survenir.



1-844-455-6097



## Consignes de sécurité importantes

### LIRE ET SUIVRE TOUTES LES INSTRUCTIONS DE SÉCURITÉ

#### EXIGENCES DE SÉCURITÉ

**DANGER** : Risque d'incendie ou d'explosion.  
Liquide frigorigène inflammable utilisé. Ne pas percer les tubes de réfrigérant.

- N'utilisez pas de dispositifs mécaniques pour dégivrer le réfrigérateur.
- Assurez-vous que l'entretien est effectué par le personnel de service autorisé en usine, afin de minimiser les dommages sur les produits ou les questions de sécurité.
- Consultez le manuel de réparation ou le guide du propriétaire avant d'essayer de réparer ce produit. Toutes les précautions de sécurité doivent être respectées.
- Éliminer conformément aux règlements fédéraux ou locaux.
- Suivez attentivement les instructions de manutention.
- Ne pas stocker des substances explosives comme les bombes aérosol avec un propulseur inflammable dans cet appareil.

**AVERTISSEMENT** : Garder les ouvertures de ventilation, dans l'enceinte de l'appareil ou dans la structure intégrée, sans obstruction.

**AVERTISSEMENT** : N'utilisez pas de dispositifs mécaniques ou d'autres moyens pour accélérer le processus de dégivrage, autres que ceux recommandés par le fabricant.

**AVERTISSEMENT** : Ne pas endommager le circuit de réfrigérant.

**AVERTISSEMENT** : N'utilisez pas d'appareils électriques à l'intérieur des compartiments de stockage d'aliments de l'appareil, à moins qu'ils ne soient du type recommandé par le fabricant.

**ATTENTION** : Les enfants devraient être surveillés pour s'assurer qu'ils ne jouent pas avec l'appareil.

**DANGER** : Risque de piégeage des enfants. Avant de jeter un ancien appareil :

- Retirez la porte ou le couvercle.
- Laissez les étagères en place afin que les enfants ne puissent pas facilement monter à l'intérieur.

**DANGER**: N'ajoutez pas de verrou à la porte ou au couvercle. Cela peut entraîner le piégeage et le préjudice des enfants.

#### EXIGENCES DE SÉCURITÉ

Cet appareil n'est pas destiné à être utilisé par des personnes (y compris des enfants) dont les capacités physiques, sensorielles ou mentales peuvent être différentes ou réduites, ou qui n'ont pas d'expérience ou de connaissances, à moins que ces personnes ne reçoivent de supervision ou de formation pour faire fonctionner l'appareil par une personne responsable de leur sécurité.

Cet appareil est destiné à être utilisé dans des applications domestiques et similaires telles que:

- Cuisines du personnel dans les magasins, les bureaux et autres environnements de travail;
- Les maisons de ferme et par les clients dans les hôtels, motels et autres environnements de type résidentiel;
- Chambres d'hôtes;
- Restauration et applications similaires non commerciales.

#### INSTRUCTIONS DE MISE À LA TERRE

Cet appareil doit être mis à la terre. La mise à la terre réduit le risque de choc électrique en fournissant un fil d'échappement pour le courant électrique.

Cet appareil possède un cordon doté d'un fil de mise à la terre avec une fiche à 3 broches. Le cordon d'alimentation doit être branché sur une prise correctement mise à la terre. Si la sortie est une prise murale à 2 broches, elle doit être remplacée par une prise murale à 3 broches correctement mise à la terre. La plaque signalétique en série indique la tension et la fréquence auxquelles l'appareil est conçu.

**AVERTISSEMENT** - Une utilisation incorrecte de la fiche de mise à la terre peut entraîner un risque d'électrocution. Consultez un électricien qualifié ou un agent de service si les instructions de mise à la terre ne sont pas complètement comprises ou s'il existe un doute quant à savoir si l'appareil est correctement mis à la terre.

**Ne branchez pas votre appareil à des rallonges ou avec un autre appareil dans la même prise murale.** Ne pas épisser le cordon d'alimentation. Ne coupez ou retirez en aucun cas la troisième broche du cordon d'alimentation. N'utilisez pas de cordons de prolongement ou d'adaptateurs sans mise à la terre (deux broches).

Si le cordon d'alimentation est endommagé, il doit être remplacé par le fabricant, son agent de service ou une personne qualifiée similaire afin d'éviter tout risque.

**GARDEZ CES INSTRUCTIONS!**

# INSTRUCTIONS D'INSTALLATION

## EMPLACEMENT

- Deux personnes doivent être utilisées pour déplacer l'appareil.
- Retirer l'emballage intérieur et extérieur avant l'installation. Essuyez l'extérieur de l'appareil avec un chiffon doux et sec et à l'intérieur avec un chiffon humide tiède.
- Placez votre appareil sur un plancher qui est assez fort pour le soutenir quand il est complètement chargé.
- Ne placez pas l'appareil directement dans la lumière du soleil ou à proximité de sources de chaleur, comme un poêle ou un réchauffeur, car cela peut augmenter la consommation électrique. Des températures ambiantes extrêmes et froides peuvent également provoquer un dysfonctionnement de l'appareil.
- Ne pas utiliser ce produit près de l'eau, par exemple, dans un sous-sol humide ou près d'un évier.
- Cet appareil est destiné à un usage domestique seulement. Cette unité n'est pas conçue pour une installation extérieure, y compris une installation où la température n'est pas contrôlée (garages, porches, carports, etc.).
- Avant de brancher l'appareil à une source d'alimentation, laissez-le debout pendant environ 6 heures; Ceci réduira la possibilité d'un dysfonctionnement dans le système de refroidissement de la manipulation pendant le transport.
- Cet appareil mesure 23,8 pouces (60,5 cm) de largeur par 34,1 pouces (86,5 cm) de hauteur par 23,7 pouces (60,1 cm) de profondeur.

## ÉVACUATION AVANT

Cet appareil est une respiration avant. Ne bloquez pas l'évent avant car cela entraînera des températures de fonctionnement élevées, une consommation d'énergie plus élevée et une éventuelle surchauffe et une panne du système.

## INSTRUCTIONS DE NIVEAU

Il y a une patte réglable au bas de l'appareil qui peut être montée ou basse pour s'assurer que l'appareil est au niveau. Il est important que l'appareil soit à niveau pour minimiser les bruits et les vibrations. Pour niveler l'appareil:

1. Tournez le pied de mise à niveau dans le sens antihoraire aussi loin que possible, jusqu'à ce que le haut du pied touche le bas de l'armoire.
2. Tournez lentement le pied de mise à niveau dans le sens des aiguilles d'une montre jusqu'à ce que l'appareil soit de niveau.

## IMPORTANT

Assurez-vous que la porte est complètement fermée lorsque l'appareil est en marche. Le fait de ne pas fermer complètement la porte peut entraîner une condensation excessive et des dégâts d'eau potentiels au plancher sous l'appareil. Danby ne sera pas responsable des dommages résultant d'une mauvaise utilisation.

# INSTRUCTIONS D'INSTALLATION

## PRÉPARER L'ENCEINTE

En faire les installations décrites dans cette section, des gants, les lunettes de sécurité devraient être portés.

Il n'est pas recommandé d'installer l'appareil dans un coin ou directement à côté d'un mur. La porte devra être ouverte plus de 90° pour permettre une extension complète des étagères. S'il est nécessaire de placer l'unité à côté d'un mur ou dans un coin, laisser au moins 2-4 pouces (5-10 cm) d'espace entre le mur et l'appareil pour permettre l'ouverture de la porte.

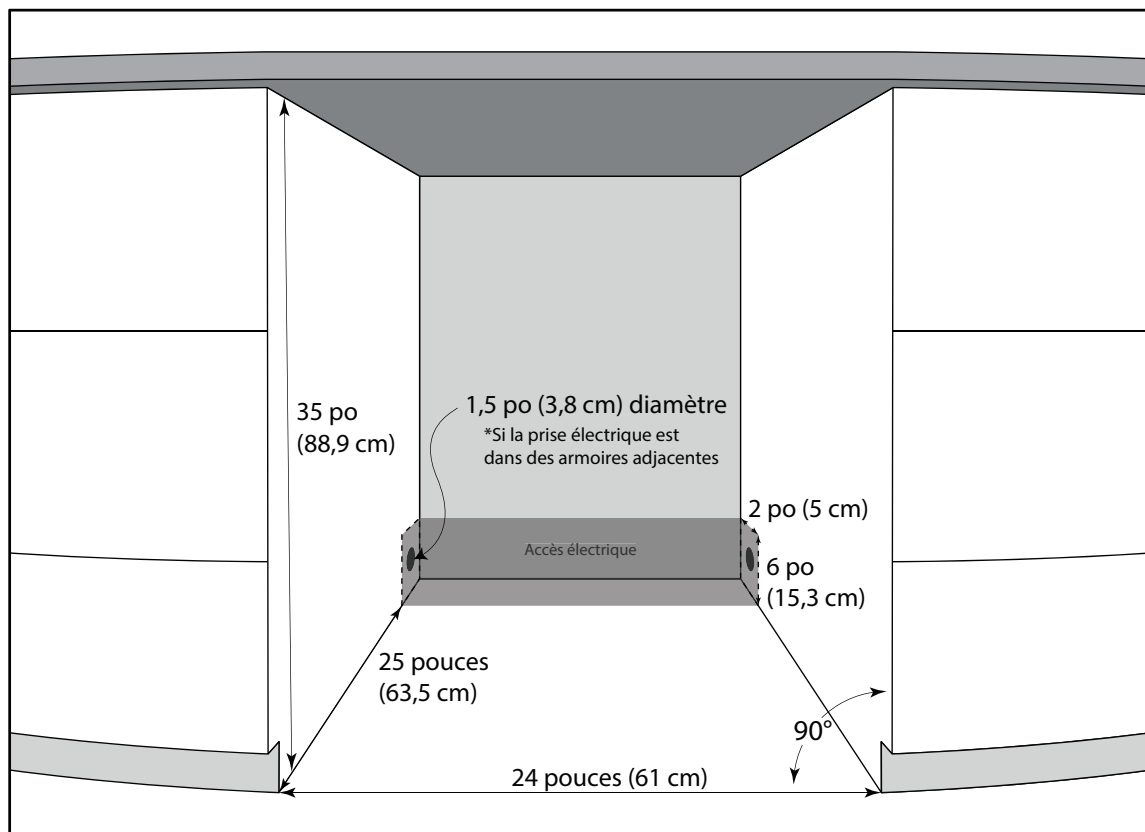
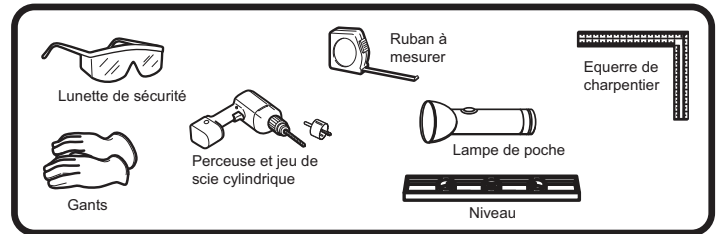
L'ouverture de l'armoire doit avoir au moins 24 pouces (61 cm) de large par 35 pouces (88,9 cm) de hauteur par 25 pouces (63,5 cm) de profondeur.

**Remarque:** L'exigence de profondeur suppose que la prise électrique est située dans les armoires adjacentes ou encastrées dans la paroi arrière, non montées en surface à l'intérieur de l'enceinte.

Si la prise électrique est située à l'intérieur des armoires adjacentes, couper un trou de 1,5 pouce (3,8 cm) de diamètre pour admirer le cordon d'alimentation. Si le mur de l'armoire est en métal, le bord du trou doit être recouvert d'une douille ou d'un passe-fil.

## OUTILS REQUIS

- Lunette de sécurité
- Gants
- Ruban à mesurer
- Equerre de charpentier
- Niveau
- Lampe de poche
- Perceuse et jeu de scie cylindrique



# CONSIGNES D'UTILISATION

## PANNEAU DE CONTRÔLE

1. **Indicateur de mode standard**
2. **Indicateur de mode d'économie d'énergie**
3. **Indicateur du mode Sabbat**
4. **Indicateur du mode démo**
5. **Indicateur de réglage de la couleur de la lumière intérieure**
6. **Indicateur d'alarme**
7. **Désactiver l'indicateur d'alarme de porte**
8. **Panneau d'affichage:** affiche la température réglée.
9. **Voyant d'alimentation:** s'allume lorsque le compresseur est en marche.
10. **Indicateurs d'échelle de température**
11. **Boutons d'augmentation et de diminution** : utilisé pour augmenter ou diminuer la température réglée par incréments de 1°.
12. **Bouton mode** : appuyez pour basculer entre le mode standard et le mode d'économie d'énergie. Le voyant correspondant s'allume. L'appareil passera par défaut en mode standard.
13. **Bouton d'éclairage** : utilisé pour définir le mode d'éclairage.
14. **Bouton d'alimentation** : appuyez pour allumer l'appareil. Appuyez et maintenez pendant 3 secondes pour éteindre l'appareil.

## LUMIÈRE INTÉRIEURE

Par défaut, l'éclairage intérieur s'allume et s'éteint lorsque la porte est ouverte ou fermée.

Appuyez une fois sur le bouton d'éclairage pour éteindre l'éclairage lorsque la porte est ouverte. La lumière reprendra son fonctionnement par défaut lorsque la porte est fermée.

Il existe quatre réglages du mode d'éclairage:

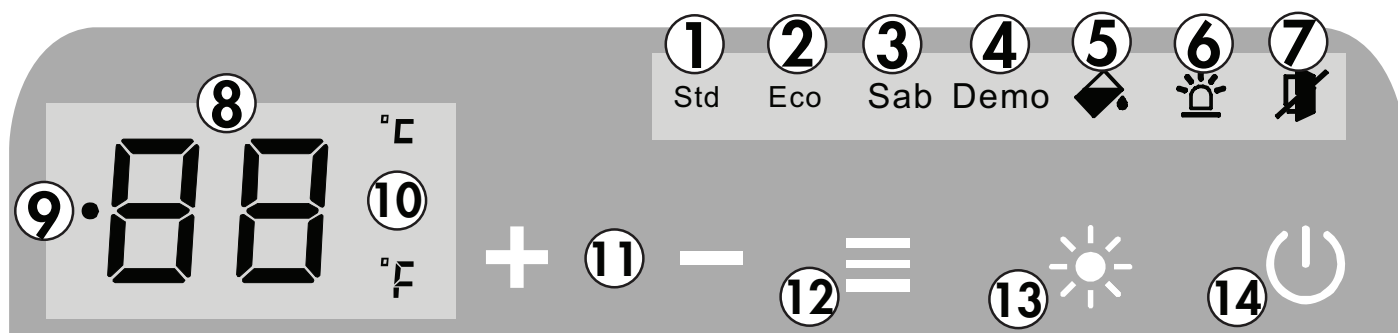
- L1: La lumière s'allume et s'éteint lorsque la porte est ouverte et fermée.
- L2: La lumière restera allumée indéfiniment à 100% d'éclairage.
- L3: La lumière restera allumée pendant 120 minutes à 100% d'éclairage, puis reprendra le fonctionnement par défaut.
- L4: La lumière restera allumée pendant 120 minutes à 50% d'éclairage, puis reprendra le fonctionnement par défaut.

Pour modifier le paramètre d'éclairage, appuyez une fois sur le bouton d'éclairage pour afficher le paramètre actuel. Appuyez plusieurs fois sur le bouton d'éclairage pour choisir le réglage d'éclairage souhaité. L'affichage fera clignoter le réglage choisi 5 fois pour confirmer.

## COULEUR DE LA LUMIÈRE INTÉRIEURE

La lumière intérieure peut être réglée sur blanc ou bleu.

Appuyez sur le bouton d'éclairage et maintenez-le enfoncé pendant 3 secondes jusqu'à ce que le symbole de couleur de l'éclairage intérieur clignote, puis appuyez sur le bouton d'éclairage pour basculer entre une lumière blanche ou bleue. Le voyant de réglage de la couleur de la lumière intérieure clignote 5 fois pour confirmer.





# CONSIGNES D'UTILISATION

## INSTRUCTION DE FONCTION

Le réglage de température par défaut est 43°F (6°C). L'échelle de température par défaut est °F.

Pour basculer l'affichage entre °F et °C, appuyez et maintenez simultanément les boutons d'augmentation et de diminution pendant environ 3 à 5 secondes.

La température peut être réglée jusqu'à 34°F (1°C) ou jusqu'à 50°F (10°C).

La température réelle à l'intérieur de l'appareil peut varier en fonction de la température ambiante, de la fréquence d'ouverture de la porte et du nombre de bouteilles chaudes récemment ajoutées à l'appareil.

En cas de panne de courant, le panneau de commande mémorise la température réglée. Une fois le courant rétabli, l'appareil revient automatiquement à son fonctionnement normal.

Si la température intérieure de l'armoire est supérieure à 73°F (23°C) pendant une heure, le code d'erreur «HI» s'affiche à l'écran, le voyant d'alarme s'allume et une alarme retentit.

Si la température intérieure de l'armoire est inférieure à 28,4°F (-2°C), le code d'erreur «LO» s'affiche à l'écran, le voyant d'alarme s'allume et une alarme retentit.

Si la température intérieure de l'armoire reste à 28,4°F (-2°C) pendant plus de 30 minutes, le code d'erreur «CL» s'affiche à l'écran, le voyant d'alarme s'allume et une alarme retentit. L'appareil cessera de fonctionner pour empêcher le contenu de geler.

## MODE DE DÉMONSTRATION

Le mode démo est uniquement destiné à être utilisé sur la surface de vente. Il peut être utilisé pour montrer à quoi ressemblera l'appareil pendant son fonctionnement sans engager le compresseur ou la fonction de refroidissement. Le ventilateur fonctionnera à basse vitesse mais toutes les alarmes et les bips seront désactivés.

Appuyez et maintenez le bouton d'augmentation et le bouton d'alimentation en même temps pendant 10 secondes pour activer le mode démo. Le voyant du mode démo s'allume.

Appuyez et maintenez le bouton d'augmentation et le bouton d'alimentation en même temps pendant 10 secondes pour remettre l'appareil en mode standard.

## ALARME PORTE OUVERTE

Si la porte n'est pas complètement fermée pendant 5 minutes, le voyant d'alarme s'allume et une alarme retentit.

L'alarme de porte ouverte peut être temporairement désactivée en appuyant une fois sur le bouton d'alimentation. Le voyant d'alarme restera allumé et l'éclairage intérieur continuera à clignoter jusqu'à ce que la porte soit fermée.

Si la porte est fermée et que l'alarme continue de retentir, vérifiez que l'actionneur en bas de la porte est en contact avec l'interrupteur de l'appareil.

## DÉSACTIVER L'ALARME DE PORTE OUVERTE

L'alarme sonore de porte peut être désactivée de façon permanente si vous le souhaitez. Le voyant d'alarme et l'éclairage intérieur continueront de s'allumer si la porte reste ouverte pendant plus de 5 minutes.

Pour désactiver l'alarme de porte ouverte, maintenez enfoncés le bouton de mode et le bouton d'éclairage en même temps pendant 3 secondes jusqu'à ce que le voyant de désactivation de l'alarme de porte s'allume. À l'avenir, si la porte reste ouverte, le voyant d'alarme et le voyant intérieur continueront de clignoter, mais l'alarme sonore de la porte ne retentira pas.

## MODE D'ÉCONOMIE D'ÉNERGIE

Le mode d'économie d'énergie éteindra l'éclairage intérieur, les voyants du panneau de commande et l'affichage. Le voyant du mode d'économie d'énergie s'allume.

Appuyez sur le bouton d'augmentation ou de diminution pour que l'affichage s'allume pendant 5 secondes avant de reprendre le mode d'économie d'énergie.

## MODE SABBAT

Le mode Sabbath peut être utilisé pour désactiver toutes les lumières et tous les sons intérieurs de l'appareil.

Appuyez et maintenez le bouton d'augmentation et le bouton de mode en même temps pendant 5 secondes pour activer le mode Sabbath. Le symbole SAB s'allume et l'écran affiche «Sb» pour indiquer que le mode Sabbath est actif.

Appuyez et maintenez enfoncé le bouton d'augmentation et le bouton de mode pendant 5 secondes pour remettre l'appareil en mode standard.

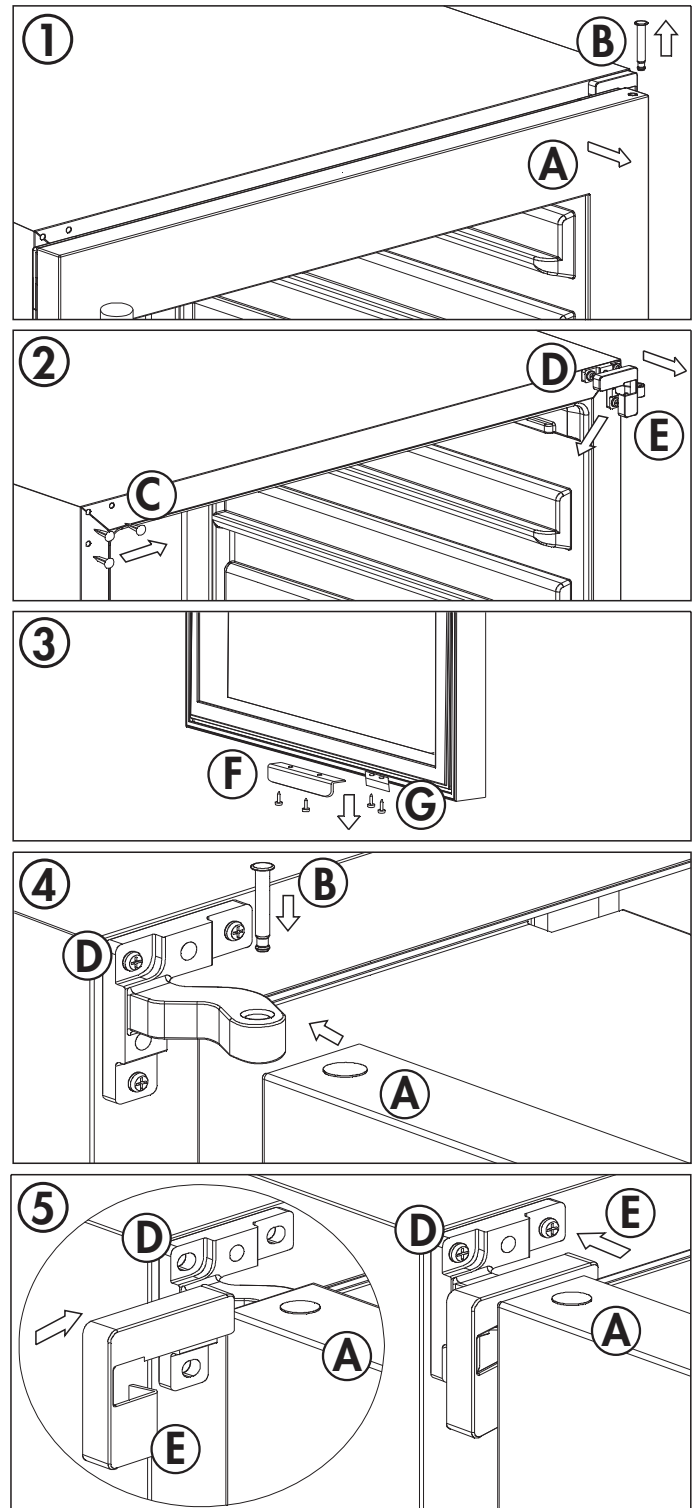
# CONSIGNES D'UTILISATION

## INSTRUCTIONS D'INVERSION DE PORTE

Si l'appareil est placé à l'arrière ou au côté pendant un certain temps pendant ce processus, il doit pouvoir rester debout pendant 6 heures avant de le brancher pour éviter d'endommager les composants internes.

1. Retirez les goupilles de porte des charnières supérieure et inférieure. Retirez la porte de l'armoire.
2. Retirez les caches des charnières des charnières supérieure et inférieure. Retirez les charnières de l'armoire. Retirez les couvercles des trous de vis du côté gauche de l'armoire. Installez les couvercles des trous de vis dans les trous de vis sur le côté droit de l'armoire. Installez la charnière supérieure droite en bas à gauche de l'armoire. Il se double de la charnière inférieure gauche. Installez la charnière inférieure droite sur le côté supérieur gauche de l'armoire. Il se double de la charnière supérieure gauche.
3. Retirez le loquet de la porte et l'actionneur du bas de la porte. Installez-les tous les deux dans les trous de vis en haut de la porte.
4. La porte devra être tournée de 180 ° avant d'être réinstallée sur l'armoire pour s'assurer que la poignée de porte est du bon côté et que le loquet de la porte et l'actionneur sont au bas de la porte. Assurez-vous que le haut de la porte est aligné avec le haut de l'armoire, que l'actionneur entre en contact avec l'interrupteur et que le joint en caoutchouc entre en contact avec l'armoire tout autour de la porte avant de serrer les vis de charnière.
5. Ouvrez la porte à 90° et réinstallez les caches de charnière.

- |                              |
|------------------------------|
| A. Porte                     |
| B. Goupille de porte         |
| C. Couvercle de trou de vis  |
| D. Charnière supérieure      |
| E. Cache charnière supérieur |
| F. Loquet                    |
| G. Actuateur                 |

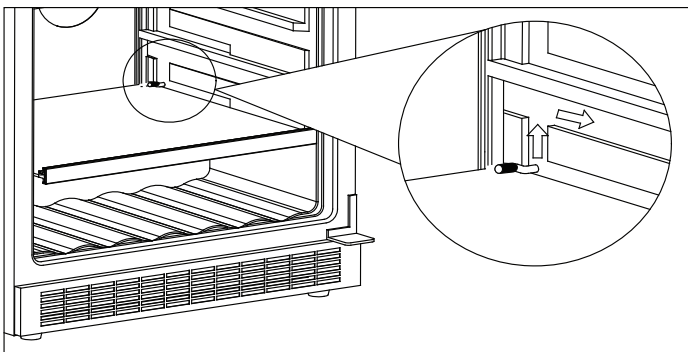


## CONSIGNES D'UTILISATION

### INSTRUCTIONS D'ÉTAGÈRE

Ne couvrez pas les étagères avec du papier d'aluminium ou tout autre matériau, car cela entravera l'écoulement d'air à l'intérieur de l'armoire et pourrait nuire à la température de l'armoire intérieure.

1. Pour retirer une étagère, soulevez l'arrière de l'étagère de manière à ce que les pattes d'étagère soient au-dessus de la piste de verrouillage. Faites glisser l'étagère hors de l'appareil pour enlever.
2. Pour remplacer une étagère, assurez-vous que les pattes d'étagère sont assises sur la piste de verrouillage. Faites glisser l'étagère dans l'appareil jusqu'à ce que la broche de l'étagère se verrouille en place.

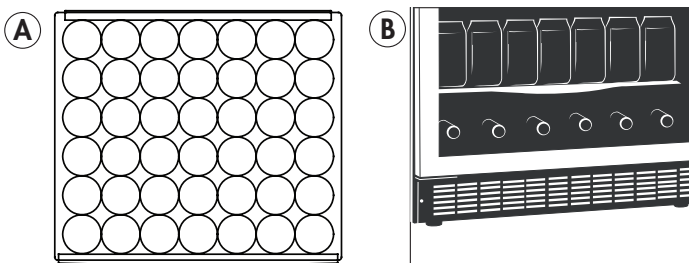


### INSTRUCTIONS DE STOCKAGE

La capacité maximale de cet appareil est de 126 boîtes de boisson de 355 ml et 6 bouteilles de vin de 750 ml de taille.

Chaque étagère en verre peut contenir au maximum 42 boîtes. Voir figure A.

Le porte-vins en bas de l'appareil peut contenir au maximum 6 bouteilles de vin. Voir figure B.



## SOINS ET ENTRETIEN

### NETTOYAGE

Assurez-vous que l'appareil est débranché avant de nettoyer une partie de l'appareil.

- Pour nettoyer l'intérieur de l'appareil, utilisez un chiffon doux et une solution d'une cuillère à soupe de bicarbonate de soude à un quart d'eau ou une solution de savon doux ou un détergent doux.
- Lavez les tablettes amovibles dans une solution détergente douce, puis séchez et essuyez avec un chiffon doux.
- Nettoyez l'extérieur avec un chiffon doux et humide et un peu de détergent doux.
- Il est important de garder la région de scellement de la porte sur l'armoire propre. Nettoyez avec un tissu savonneux, rincez le région et puis séchez.

**Remarque:** N'utilisez pas de produits nettoyants comprenant de l'ammoniaque ou de l'alcool sur l'appareil. L'ammoniaque ou l'alcool peuvent altérer le fini de l'appareil. N'utilisez jamais de nettoyant industriels sur aucune partie de votre appareil.

### DÉGIVRER

Cet appareil est équipé d'une fonction de dégivrage automatique et ne nécessite pas de dégivrage manuel. Le dégivrage de l'eau de l'appareil est canalisé dans un tiroir situé au-dessus du compresseur. Le transfert de chaleur du compresseur provoque l'évaporation de l'eau de dégivrage.

### ÉLIMINATION DES DÉCHETS

Ce produit ne doit pas être traité comme un déchet domestique ordinaire, il doit être transporté au point de collecte approprié pour le recyclage des composants électriques. Pour obtenir des renseignements sur les points de collecte des déchets locaux, communiquez avec votre agence locale de traitement des déchets ou avec le bureau du gouvernement.

### CODES D'ERREUR

Si les codes d'erreur «HI», «LO» ou «CL» apparaissent à l'écran, appuyez une fois sur le bouton d'alimentation pour arrêter l'alarme.

Si les codes d'erreur réapparaissent sur l'écran et restent pendant plus de 5 minutes, une réinitialisation de l'alimentation peut corriger le problème. Débranchez l'appareil, attendez 5 minutes, puis rebranchez l'appareil.

Si le code d'erreur persiste après une réinitialisation de l'alimentation, contactez le service client ou un agent de service agréé.

## DÉPANNAGE

**Silhouette soins du consommateur: 1-844-455-6097**

**Heures d'ouverture:**

Lundi à Jeudi 8 h 30 à 18 h, heure normale de l'Est  
Vendredi de 8 h 30 à 16 h, heure normale de l'Est

Les informations contenues dans ce manuel sont sujettes à modification sans préavis.

<b>PROBLÈME</b>	<b>CAUSE POSSIBLE</b>
<b>L'appareil n'est pas alimenté</b>	<ul style="list-style-type: none"><li>• Un fusible de votre panneau de distribution peut être grillé ou le disjoncteur déclenché</li><li>• La fiche n'est pas complètement insérée dans prise murale</li></ul>
<b>La température interne n'est pas assez froide</b> <b>L'appareil fonctionne en continu</b> <b>Sonde d'alarme et "HI" sur l'écran d'affichage</b> <b>Le voyant d'alarme est allumé</b>	<ul style="list-style-type: none"><li>• Le porte n'est pas fermées correctement ou ouverte trop souvent</li><li>• L'échappement est obstrué</li><li>• Ajout récemment d'une grande quantité de bouteilles chaudes à l'armoire</li><li>• Proximité de la source de chaleur ou de la lumière directe du soleil</li><li>• La température ambiante ou l'humidité est très élevée</li><li>• Le mode démo est actif</li><li>• L'actionneur en bas de la porte n'entre pas en contact avec l'interrupteur de l'armoire</li></ul>
<b>Condensation sur le cabinet ou la porte</b>	<ul style="list-style-type: none"><li>• Le porte n'est pas fermées correctement ou ouverte trop souvent</li><li>• La température ambiante ou l'humidité est très élevée</li></ul>
<b>Sonde d'alarme et "LO" sur l'écran d'affichage</b> <b>Le voyant d'alarme est allumé</b>	<ul style="list-style-type: none"><li>• La température ambiante est trop faible</li><li>• Echec du capteur</li><li>• La température de l'évaporateur est trop faible</li></ul>
<b>L'écran ne fonctionne pas et l'éclairage intérieur ne s'allume pas</b>	<ul style="list-style-type: none"><li>• L'appareil peut fonctionner en mode d'économie d'énergie ou en mode Sabbath</li></ul>

*Silhouette*

## GARANTIE LIMITÉE "À DOMICILE"

Cet appareil de qualité est garanti exempt de tout vice de matière première et de fabrication, s'il est utilisé dans les conditions normales recommandées par le fabricant.

Cette garantie n'est offerte qu'à l'acheteur initial de l'appareil vendu par Danby Products Limited (Canada) ou Danby Products Inc. (E.-U.A.) (ci-après « Danby ») ou par l'un des ses distributeurs agréés et elle ne peut être transférée.

### CONDITIONS

Les pièces en plastique sont garanties pendant trente (30) jours seulement à partir de la date de l'achat, sans aucune prolongation prévue.

**Premiers 24 mois** Pendant les premiers **vingt quatre (24) mois**, toutes les pièces fonctionnelles de ce produit qui s'avèrent défectueuses seront réparées ou remplacées, selon le choix du garant, sans frais à l'acheteur initial.

**Pour bénéficiaire du service** S'adresser au détaillant qui a vendu l'appareil, ou à la station technique agréée de service la plus proche, où les réparations doivent être effectuées par un technicien qualifié. Si les réparations sont effectuées par quiconque autre que la station de service agréée ou à des fins commerciales, toutes les obligations de Danby en vertu de cette garantie seront annulées.

**Limites de l'entretien à domicile** Danby se réserve le droit de limiter les limites de "Service au domicile" à proximité d'un dépôt de service agréé. Tout appareil nécessitant un service en dehors des limites de "Service à domicile" sera la responsabilité du consommateur de transporter l'appareil à leur propres frais le point d'achat original ou un dépôt de service pour réparation. Si l'appareil est installé à plus de **100 kilomètres (62 milles)** du centre de service le plus proche, il doit être livré à l'atelier de réparation autorisé par Danby le plus proche, car l'entretien doit uniquement être réalisé par un technicien qualifié et certifié pour effectuer un entretien couvert par la garantie de Danby.

Les frais de transport entre votre domicile et le lieu de l'entretien ne sont pas couverts par la présente garantie et doivent être acquittés par l'acheteur.

Aucune partie de la garantie ne prévoit implicitement que le fabricant sera tenu responsable des dommages subis par les aliments ou d'autres types de contenu, qu'ils soient causés par la défectuosité de l'appareil ou par son usage adéquat ou inadéquat.

### EXCLUSIONS

En vertu de la présente, il n'existe aucune autre garantie, condition ou représentation, qu'elle soit exprimée ou tacite, de façon manifeste ou intentionnelle, par Danby ou ses distributeurs agréés. De même, sont exclues toutes les autres garanties, conditions ou représentations, y compris les garanties, conditions ou représentations en vertu de toute loi régissant la vente de produits ou de toute autre législation ou règlement semblables. En vertu de la présente, Danby ne peut être tenue responsable en cas de blessures corporelles ou des dégâts matériels, y compris à l'appareil, quelle qu'en soit la cause. Danby ne peut pas être tenue responsable des dommages indirects dus au fonctionnement défectueux de l'appareil. En achetant l'appareil, l'acheteur accepte de mettre à couvert et de dégager Danby de toute responsabilité en cas de réclamation pour toute blessure corporelle ou tout dégât matériel causé par cet appareil.

### CONDITIONS GÉNÉRALES

La garantie ou assurance ci-dessus ne s'applique pas si les dégâts ou réparations sont dus aux cas suivants:

- 1) Panne de courant.
- 2) Dommages subis pendant le transport ou le déplacement de l'appareil.
- 3) Alimentation électrique incorrecte (tension faible, câblage défectueux, fusibles incorrects).
- 4) Accident, modification, emploi abusif ou incorrect de l'appareil tel qu'une circulation d'air inadéquate dans la pièce ou des conditions de fonctionnement anormales (température extrêmement élevée ou basse).
- 5) Utilisation dans un but commercial ou industriel (à savoir, si l'appareil n'est pas installé dans un domicile résidentiel).
- 6) Incendie, dommages causés par l'eau, vol, guerre, émeute, hostilités, cas de force majeure (ouragan, inondation, etc.).
- 7) Visites d'un technicien pour expliquer le fonctionnement de l'appareil au propriétaire.
- 8) Installation inappropriée (par exemple, encastrement d'un appareil autoportant, ou utilisation extérieure d'un appareil non conçu à cet effet, y compris, mais sans s'y limiter: les garages, les patios, les porches ou ailleurs qui ne sont pas correctement isolés ou climatisés).

La preuve de la date d'achat sera requise pour les réclamations de garantie; Conserver les factures de vente. Dans le cas où un service de garantie est requis, présentez la preuve d'achat à notre dépôt de service agréé.

### Service sous garantie

Service au domicile

Danby Products Limited  
PO Box 1778, Guelph, Ontario, Canada N1H 6Z9  
Téléphone : (519) 837-0920 Télécopieur: (519) 837-0449

**1-844-455-6097**

04/17

Danby Products Inc.  
PO Box 669, Findlay, Ohio, U.S.A. 45840  
Téléphone: (419) 425-8627 Télécopieur: (419) 425-8629

# Bienvenido

Bienvenido a la familia Silhouette. Estamos orgullosos de nuestros productos de calidad y creemos en un servicio confiable. Sugerimos que lea este manual del propietario antes de conectar el nuevo aparato ya que contiene información importante sobre la operación, información de seguridad, solución de problemas y consejos de mantenimiento para garantizar la fiabilidad y longevidad de su electrodoméstico.

Visite [www.SilhouetteAppliances.com](http://www.SilhouetteAppliances.com) para acceder a herramientas de autoservicio, preguntas frecuentes y mucho más. Para asistencia adicional, llame al **1-844-455-6097**

**Tenga en cuenta la información siguiente; Necesitará esta información para obtener un servicio bajo garantía.**

**Debe proporcionar el recibo de compra original para validar su garantía y recibir servicio.**

**Número de modelo:** \_\_\_\_\_

**Número de serie:** \_\_\_\_\_

**Fecha de compra:** \_\_\_\_\_

## Necesitas ayuda?

Antes de llamar al servicio, aquí hay algunas cosas que puede hacer para ayudarnos a servirle mejor.

**Lea este manual del propietario:**

Contiene instrucciones para ayudarlo a usar y mantener su aparato correctamente.

**Si recibe un aparato dañado:**

Inmediatamente póngase en contacto con el minorista o el constructor que le vendió el aparato.

**Ahorre tiempo y dinero:**

Consulte la sección de solución de problemas al final de este manual antes de llamar. Esta sección le ayudará a resolver problemas comunes que pueden ocurrir.



1-844-455-6097



## Importantes Instrucciones de Seguridad

### LEA Y SIGA TODAS LAS INSTRUCCIONES DE SEGURIDAD

#### REQUERIMIENTOS DE SEGURIDAD

**PELIGRO:** Riesgo de incendio o explosión. Refrigerante inflamable usado. No perforar la tubería del refrigerante.

- No utilice dispositivos mecánicos para descongelar el refrigerador.
- Asegúrese de que el personal de mantenimiento autorizado por la fábrica haga el mantenimiento para minimizar los daños o problemas de seguridad del producto.
- Consulte el manual de reparación o la guía del propietario antes de intentar reparar este producto. Todas las precauciones de seguridad deben ser seguidas.
- Deseche adecuadamente de acuerdo con las regulaciones federales o locales.
- Siga cuidadosamente las instrucciones de manipulación.
- No almacene sustancias explosivas como aerosoles con propelente inflamable en este electrodoméstico.

**ADVERTENCIA:** Mantenga las aberturas de ventilación, en la caja del aparato o en la estructura incorporada, sin obstrucción.

**ADVERTENCIA:** No utilice dispositivos mecánicos u otros medios para acelerar el proceso de descongelación, distintos de los recomendados por el fabricante.

**ADVERTENCIA:** No dañar el circuito refrigerante.

**ADVERTENCIA:** No utilice electrodomésticos dentro de los compartimentos de almacenamiento de alimentos del aparato, a menos que sean del tipo recomendado por el fabricante.

**PRECAUCIÓN:** Los niños deben ser supervisados para asegurarse de que no juegan con el aparato.

**PELIGRO:** Riesgo de atrapamiento de niños. Antes de tirar un electrodoméstico viejo:

- Retire la puerta o la tapa.
- Deje los estantes en su lugar para que los niños no puedan subir fácilmente dentro.

**PELIGRO:** No agregue un candado a la puerta o tapa. Esto puede causar atrapamiento y daño al niño.

#### REQUERIMIENTOS DE SEGURIDAD

Este aparato no está diseñado para ser usado por personas (incluyendo niños) cuyas capacidades físicas, sensoriales o mentales pueden ser diferentes o reducir, o que carecen de experiencia o conocimiento, a menos que dichas personas reciban supervisión o entrenamiento para operar el aparato por una persona responsable de su la seguridad.

Este dispositivo está destinado a ser utilizado en aplicaciones domésticas y similares, tales como:

- Cocinas de personal en tiendas, oficinas y otros entornos de trabajo;
- Casas rurales y clientes en hoteles, moteles y otros entornos de tipo residencial;
- Cama y desayuno;
- Catering y aplicaciones similares no minoristas.

#### INSTRUCCIONES DE CONEXION A TIERRA

Este aparato debe estar conectado a tierra. La puesta a tierra reduce el riesgo de descarga eléctrica proporcionando un cable de escape para la corriente eléctrica.

Este aparato tiene un cable que tiene un cable de conexión a tierra con un enchufe de 3 clavijas. El cable de alimentación debe estar enchufado en un tomacorriente que esté debidamente conectado a tierra. Si el tomacorriente es un enchufe de pared de 2 terminales, debe ser reemplazado por un tomacorriente de pared de 3 clavijas debidamente conectado a tierra. La placa de características en serie indica el voltaje y la frecuencia que el aparato está diseñado para.

**ADVERTENCIA** - El uso incorrecto del enchufe de conexión a tierra puede resultar en un riesgo de descarga eléctrica. Consulte a un electricista calificado o agente de servicio si las instrucciones de conexión a tierra no se entienden completamente o si existe duda sobre si el aparato está debidamente conectado a tierra.

**No conecte el aparato a los cables de extensión ni con otro aparato en la misma toma de corriente.** No empalme el cable de alimentación. No corte ni extraiga en ningún caso la tercera clavija de tierra del cable de alimentación. No utilice cables de extensión ni adaptadores sin conexión a tierra (dos clavijas).

Si el cable de alimentación está dañado, debe ser reemplazado por el fabricante, su agente de servicio o persona calificada similar para evitar riesgos.

**¡GUARDE ESTAS INSTRUCCIONES!**

# INSTRUCCIONES DE INSTALACIÓN

## UBICACIÓN

- Se deben utilizar dos personas al mover el aparato.
- Retire el embalaje interior y exterior antes de la instalación. Limpie el exterior del aparato con un paño suave y seco y el interior con un paño húmedo tibio.
- Coloque el aparato en un piso que sea lo suficientemente fuerte como para soportarlo cuando esté completamente cargado.
- Ubique el aparato lejos de la luz directa del sol y fuentes de calor (estufa, calentador, radiador, etc.). La luz solar directa y las fuentes de calor pueden aumentar el consumo eléctrico. Las temperaturas ambientales extremadamente frías también pueden causar que la unidad funcione incorrectamente.
- No utilice este producto cerca del agua, por ejemplo, en un sótano húmedo o cerca de un fregadero.
- Este aparato está diseñado para uso doméstico solamente. Esta unidad no está diseñada para instalación exterior, incluida la instalación en cualquier lugar que no sea de temperatura controlada (garajes, porches, cocheras, etc.).
- Antes de conectar el aparato a una fuente de alimentación, deje que se mantenga erguido durante aproximadamente 6 horas; Esto reducirá la posibilidad de un malfuncionamiento en el sistema de enfriamiento debido a la manipulación durante el transporte.
- Este aparato tiene 23.8 pulgadas (60.5 cm) de ancho por 34.1 pulgadas (86.5 cm) de alto por 23.7 pulgadas (60.1 cm) de profundidad.

## RESPIRADERO FRONTAL

Este aparato es la respiración delantera. No bloquee la salida de aire frontal, ya que esto resultará en altas temperaturas de funcionamiento, mayor consumo de energía y posible sobrecalentamiento y fallo del sistema.

## INSTRUCCIONES DE NIVELACIÓN

Hay dos patas ajustables en la parte inferior del aparato que se pueden subir o bajar para asegurarse de que el aparato esté nivelado. Es importante que el aparato esté nivelado para minimizar el ruido y las vibraciones. Para nivelar el aparato:

1. Gire la pata niveladora en sentido antihorario hasta el tope, hasta que la parte superior del pie toque la parte inferior del gabinete.
2. Gire lentamente la pata niveladora en el sentido de las agujas del reloj hasta que el aparato esté nivelado.

## IMPORTANTE

Asegúrese de que la puerta esté completamente cerrada cuando el aparato esté en funcionamiento. Si no cierra completamente la puerta, puede producirse una condensación excesiva y daños potenciales por agua en el piso debajo del electrodoméstico. Danby no será responsable de los daños causados por el mal uso.



# INSTRUCCIONES DE INSTALACIÓN

## PREPARAR EL RECINTO

Se deben usar guantes y gafas de seguridad durante la instalación.

No se recomienda instalar el aparato en una esquina o directamente al lado de una pared. La puerta tendrá que abrirse más de 90° para permitir la extensión completa de los estantes. Si es necesario colocar la unidad cerca de una pared o en una esquina, deje al menos 2-4 pulgadas (5-10 cm) de espacio entre la pared y el aparato para permitir la apertura de la puerta.

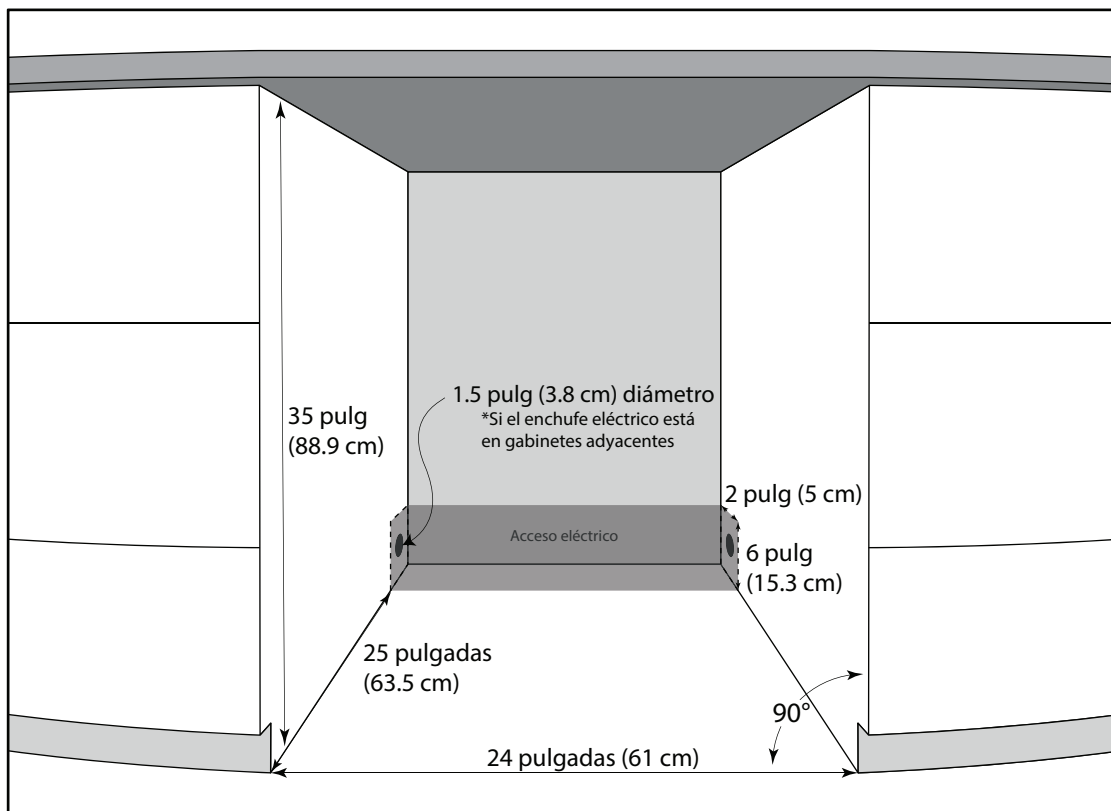
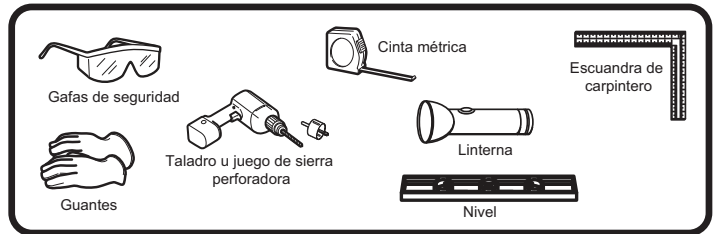
La abertura del gabinete debe tener al menos 24 pulgadas (61 cm) de ancho por 35 pulgadas (88.9 cm) de alto por 25 pulgadas (63.5 cm) de profundidad.

**Nota:** El requisito de profundidad es suponer que la salida eléctrica se encuentra en el gabinete adyacente o montada enrasada en la pared posterior, no montada en superficie dentro del recinto.

Si el tomacorriente se encuentra dentro de gabinetes adyacentes, corte un orificio de 1.5 pulgadas (3.8 cm) de diámetro para admitir el cable de alimentación. Si la pared del armario es metálica, el borde del agujero debe estar cubierto con un casquillo o arandela.

## HERRAMIENTAS REQUERIDAS

- Gafas de seguridad
- Guantes
- Cinta métrica
- Escuadra de carpintero
- Nivel
- Linterna
- Taladro u juego de sierra perforadora



# INSTRUCCIONES DE OPERACIÓN

## PANEL DE CONTROL

1. **Indicador de modo estándar**
2. **Indicador de modo de ahorro de energía.**
3. **Indicador de modo sabático**
4. **Indicador de modo de demostración**
5. **Indicador de ajuste de color de luz interior**
6. **Indicador de alarma**
7. **Desactivar indicador de alarma de puerta**
8. **Panel de visualización:** muestra la temperatura establecida.
9. **Luz indicadora de encendido:** se ilumina cuando el compresor está funcionando.
10. **Indicadores de escala de temperatura**
11. **Botones de aumento y disminución:** Se usa para aumentar o disminuir la temperatura establecida en incrementos de 1°.
12. **Botón de modo:** presione para alternar entre el modo estándar y el modo de ahorro de energía. La luz indicadora correspondiente se iluminará. El dispositivo pasará por defecto al modo estándar.
13. **Botón de luz:** se utiliza para configurar el modo de luz.
14. **Botón de encendido:** presione para encender el aparato. Mantenga presionado durante 3 segundos para apagar el aparato.

## LUZ INTERIOR

La luz interior se encenderá y apagará por defecto cuando la puerta se abra o se cierre.

Presione el botón de luz una vez para apagar la luz mientras la puerta está abierta. La luz reanudará el funcionamiento predeterminado cuando la puerta esté cerrada.

Hay cuatro configuraciones de modo de luz:

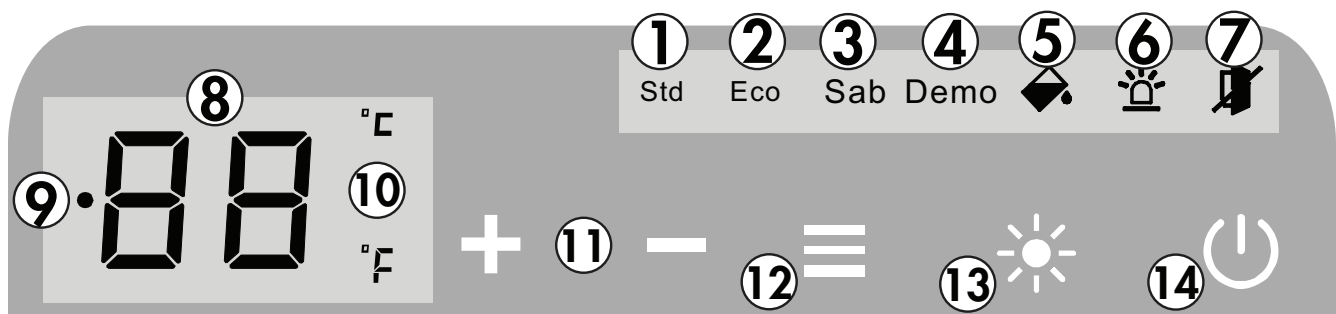
- L1: La luz se encenderá y apagará cuando la puerta se abra y se cierre.
- L2: la luz permanecerá encendida indefinidamente al 100% de iluminación.
- L3: La luz permanecerá encendida durante 120 minutos con una iluminación del 100% y luego reanudará la operación predeterminada.
- L4: La luz permanecerá encendida durante 120 minutos con una iluminación del 50% y luego reanudará la operación predeterminada.

Para cambiar la configuración de luz, presione el botón de luz una vez para mostrar la configuración actual. Presione el botón de luz repetidamente para elegir la configuración de luz deseada. La pantalla parpadeará la configuración elegida 5 veces para confirmar.

## COLOR DE LUZ INTERIOR

La luz interior se puede configurar en blanco o azul.

Presione y mantenga presionado el botón de luz durante 3 segundos hasta que el símbolo del color de la luz interior parpadee, luego presione el botón de luz para alternar entre una luz blanca o azul. La luz indicadora de configuración del color de la luz interior parpadeará 5 veces para confirmar.



# INSTRUCCIONES DE OPERACIÓN

## INSTRUCCIÓN DE LA FUNCIÓN

La configuración de temperatura predeterminada es 43°F (6°C). La escala de temperatura predeterminada es °F.

Para cambiar la visualización entre °F y °C, presione y mantenga presionados los botones de aumento y disminución simultáneamente durante aproximadamente 3-5 segundos.

La temperatura puede establecerse tan baja como 34°F (1°C) o tan alta como 50°F (10°C).

La temperatura real dentro del aparato puede variar según la temperatura ambiente, la frecuencia con la que se abre la puerta y cuántas botellas calientes se han agregado recientemente al aparato.

Si el aparato pierde energía, el panel de control recordará la temperatura establecida. Una vez que se restablezca la energía, el aparato volverá a su funcionamiento normal automáticamente.

Si la temperatura interior del gabinete es superior a 73°F (23°C) durante una hora, el código de error "HI" aparecerá en la pantalla, la luz indicadora de alarma se iluminará y sonará una alarma.

Si la temperatura interna del gabinete es inferior a 28.4°F (-2°C), el código de error "LO" aparecerá en la pantalla, la luz indicadora de alarma se iluminará y sonará una alarma.

Si la temperatura interna del gabinete permanece en 28.4°F (-2°C) por más de 30 minutos, el código de error "CL" aparecerá en la pantalla, la luz indicadora de alarma se iluminará y sonará una alarma. El aparato dejará de funcionar para evitar que el contenido se congele.

## MODO DE DEMOSTRACIÓN

El modo de demostración solo está destinado a ser utilizado en el piso de ventas. Se puede usar para mostrar cómo se verá el aparato mientras está funcionando sin activar el compresor o la función de enfriamiento. El ventilador funcionará a baja velocidad, pero todas las alarmas y pitidos se desactivarán.

Mantenga presionado el botón de aumento y el botón de encendido al mismo tiempo durante 10 segundos para habilitar el modo de demostración. La luz indicadora del modo de demostración se iluminará.

Mantenga presionado el botón de aumento y el botón de encendido al mismo tiempo durante 10 segundos para que el aparato vuelva al modo estándar.

## ALARMA DE PUERTA ABIERTA

Si la puerta no se cierra por completo durante 5 minutos, la luz indicadora de alarma se iluminará y sonará una alarma.

La alarma de puerta abierta se puede silenciar temporalmente presionando el botón de encendido una vez. La luz indicadora de alarma permanecerá iluminada y la luz interior continuará parpadeando hasta que se cierre la puerta.

Si la puerta está cerrada y la alarma continúa sonando, verifique que el actuador en la parte inferior de la puerta esté haciendo contacto con el interruptor del aparato.

## DESACTIVAR ALARMA DE PUERTA ABIERTA

La alarma audible de la puerta se puede apagar permanentemente si se desea. La luz indicadora de alarma y la luz interior continuarán iluminándose si la puerta se deja abierta durante más de 5 minutos.

Para deshabilitar la alarma de puerta abierta, presione y mantenga presionado el botón de modo y el botón de luz al mismo tiempo durante 3 segundos hasta que se ilumine la luz indicadora de alarma de puerta deshabilitada. En el futuro, si la puerta se deja abierta, la luz indicadora de alarma y la luz interior seguirán parpadeando, pero la alarma audible de la puerta no sonará.

## MODO DE AHORRO DE ENERGÍA

El modo de ahorro de energía apagará la luz interior, las luces del panel de control y la pantalla. La luz indicadora del modo de ahorro de energía se iluminará.

Al presionar el botón de aumento o disminución, la pantalla se encenderá durante 5 segundos antes de reanudar el modo de ahorro de energía.

## MODO SÁBADO

El modo sabático se puede usar para desactivar todas las luces y sonidos interiores del aparato.

Mantenga presionado el botón de aumento y el botón de modo al mismo tiempo durante 5 segundos para habilitar el modo sabático. El símbolo SAB se iluminará y la pantalla mostrará "Sb" para indicar que el modo Sabbath está activo.

Mantenga presionado el botón de aumento y el botón de modo durante 5 segundos para que el aparato vuelva al modo estándar.

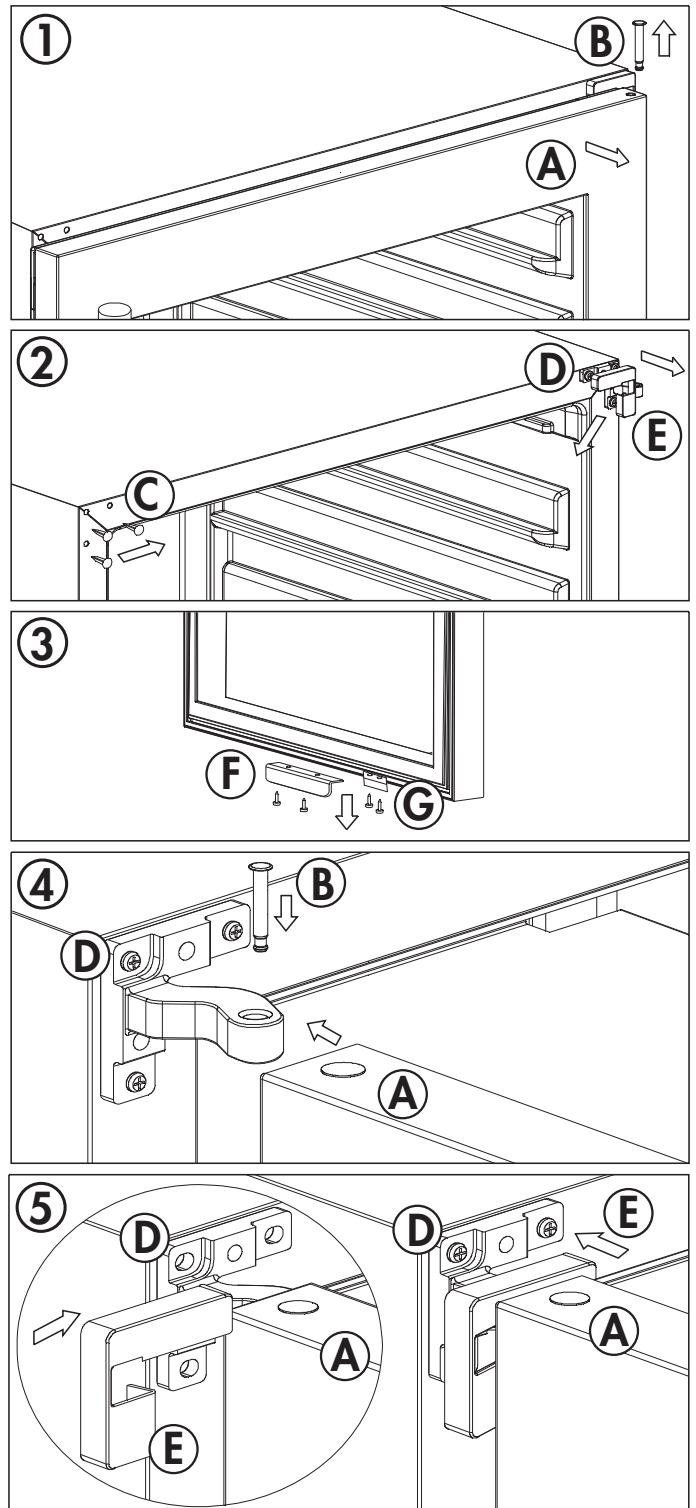
# INSTRUCCIONES DE OPERACIÓN

## INSTRUCCIONES DE REVERSIÓN DE PUERTA

Si el aparato se coloca en su parte posterior o lateral durante un período de tiempo prolongado durante este proceso, se debe permitir que permanezca erguido durante 6 horas antes de enchufarlo para evitar daños a los componentes internos.

1. Retire los pasadores de la puerta de las bisagras superior e inferior. Retire la puerta del gabinete.
2. Retire las cubiertas de las bisagras de las bisagras superior e inferior. Retire las bisagras del gabinete. Retire las tapas de los orificios para tornillos del lado izquierdo del gabinete. Instale las tapas de los orificios para tornillos en los orificios para tornillos en el lado derecho del gabinete. Instale la bisagra superior derecha en la parte inferior izquierda del gabinete. Se dobla como la bisagra inferior izquierda. Instale la bisagra inferior derecha en el lado superior izquierdo del gabinete. Se dobla como la bisagra superior izquierda.
3. Retire el pestillo de la puerta y el actuador de la parte inferior de la puerta. Instálelos en los orificios para tornillos en la parte superior de la puerta.
4. La puerta deberá girarse 180 ° antes de volver a instalarse en el gabinete para asegurarse de que la manija de la puerta esté en el lado correcto y que el pestillo de la puerta y el actuador estén en la parte inferior de la puerta. Asegúrese de que la parte superior de la puerta esté alineada con la parte superior del gabinete, que el actuador esté haciendo contacto con el interruptor y que la junta de goma esté haciendo contacto con el gabinete alrededor de la puerta antes de apretar los tornillos de la bisagra.
5. Abra la puerta 90° y vuelva a instalar las cubiertas de las bisagras.

- A. Puerta
- B. Perno de la puerta
- C. Tapa del orificio de tornillo
- D. Bisagra superior
- E. Cubierta de la bisagra superior
- F. Pestillo
- G. Solenoide

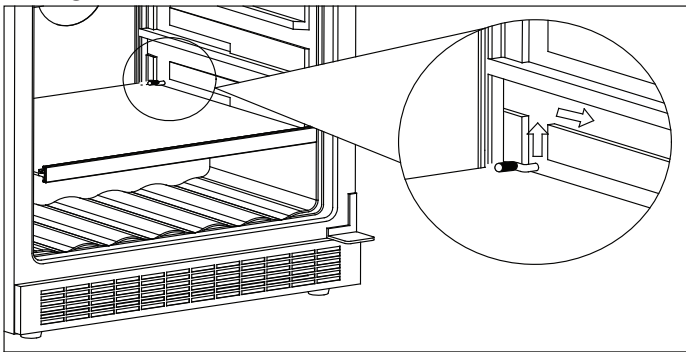


## INSTRUCCIONES DE OPERACIÓN

### INSTRUCCIONES DE ESTANTERÍA

No cubra los estantes con papel de aluminio ni ningún otro material ya que esto impedirá el flujo de aire dentro del gabinete y puede afectar negativamente la temperatura interior del gabinete.

1. Para quitar una estantería, levante la parte posterior de la estantería para que los pasadores de la estantería estén por encima de la vía de bloqueo. Deslice el estante de la unidad para quitarlo.
2. Para reemplazar una estantería, asegúrese de que los pasadores de la estantería estén sentados en la parte superior de la vía de bloqueo. Deslice el estante en el aparato hasta que el perno de la estantería se bloquee en su lugar.

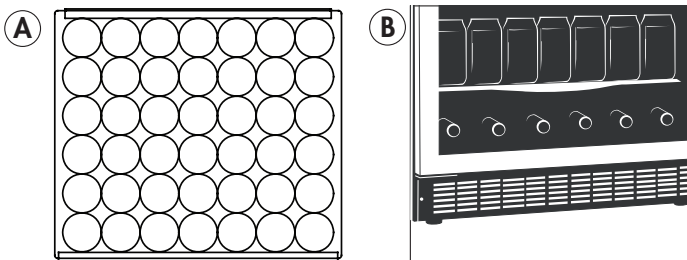


### INSTRUCCIONES DE ALMACENAMIENTO

La capacidad máxima de este aparato es de 126 latas de bebidas de 355 ml de tamaño y 6 botellas de vino de 750 ml de tamaño.

Cada estante de cristal puede contener un máximo de 42 latas. Véase la figura A.

El estante de vino en la parte inferior del aparato puede contener un máximo de 6 botellas de vino. Véase la figura B.



## CUIDADO Y MANTENIMIENTO

### LIMPIEZA

Asegúrese de que la unidad esté desenchufada antes de limpiar cualquier parte del aparato.

- Para limpiar el interior del aparato, utilice un paño suave y una solución de una cucharada de bicarbonato de sodio a un litro de agua o una solución de jabón suave o algún detergente suave.
- Lave los estantes removibles en una solución de detergente suave, luego seque y limpie con un paño suave.
- Limpie el exterior con un paño suave y húmedo y un poco de detergente suave.
- Es importante mantener el área limpia donde la puerta sella contra el gabinete. Limpie este área con un paño jabonoso. Enjuague con un paño húmedo y deje secar.

**Nota:** No utilice limpiadores que contengan amoníaco o alcohol en el aparato. El amoníaco o el alcohol pueden dañar el aspecto del aparato. Nunca utilice limpiadores comerciales o abrasivos ni objetos afilados en ninguna parte del aparato.

### DESCONGELAR

Esta unidad está equipada con una función de descongelación automática y no requiere descongelación manual. El agua de descongelación del aparato se canaliza en una bandeja de goteo situada por encima del compresor. La transferencia de calor desde el compresor hace que el agua de descongelación se evapore.

### DISPOSICIÓN

Este aparato no puede ser tratado como un residuo doméstico normal, sino que debe ser llevado al punto de recogida de residuos apropiado para el reciclaje de componentes eléctricos. Para obtener información sobre los puntos de recogida de residuos locales, póngase en contacto con la agencia local de eliminación de residuos o con la oficina gubernamental.

### CÓDIGOS DE ERROR

Si los códigos de error "HI", "LO" o "CL" aparecen en la pantalla, presione el botón de encendido una vez para silenciar la alarma.

Si los códigos de error vuelven a aparecer en la pantalla y permanecen durante más de 5 minutos, un reinicio de energía puede corregir el problema. Desenchufe el aparato, espere 5 minutos y luego vuelva a enchufar la unidad.

Si el código de error persiste después de un reinicio de energía, comuníquese con atención al consumidor o un agente de servicio autorizado.

## SOLUCIÓN SUGERIDA

**Silhouette cuidado del consumidor: 1-844-455-6097**

### Horas de operación:

Lunes a Jueves 8:30 am - 6:00 pm Hora estándar del este

Viernes 8:30 am - 4:00 pm Hora estándar del este

La información de este manual está sujeta a cambios sin previo aviso.

PROBLEMA	POSSIBLE CAUSA
<b>No funciona</b>	<ul style="list-style-type: none"> <li>• Un fusible en su casa puede soplarse o el interruptor de circuito disparado</li> <li>• El enchufe no está completamente insertado en la toma de corriente</li> </ul>
<p><b>La temperatura interna no es lo suficientemente fría</b></p> <p><b>El aparato funciona continuamente</b></p> <p><b>Sonido de alarma y "HI" en el panel de visualización</b></p> <p><b>La luz indicadora de alarma está iluminada</b></p>	<ul style="list-style-type: none"> <li>• La puerta no se cierra correctamente o se abre demasiado</li> <li>• El respiradero de escape está obstruido</li> <li>• Recientemente se agregó una gran cantidad de botellas calientes al gabinete</li> <li>• Muy cerca de la fuente de calor o de la luz solar directa</li> <li>• La temperatura ambiente o la humedad es muy alta</li> <li>• Posible pérdida del sistema, fallo del ventilador del evaporador o falla del compresor</li> <li>• El modo de demostración está activo</li> <li>• El actuador en la parte inferior de la puerta no hace contacto con el interruptor del gabinete</li> </ul>
<b>Condensación en el armario o en la puerta</b>	<ul style="list-style-type: none"> <li>• La puerta no se cierra correctamente o se abre demasiado</li> <li>• La temperatura ambiente o la humedad es muy alta</li> </ul>
<p><b>Sonido de alarma y "LO" en el panel de visualización</b></p> <p><b>La luz indicadora de alarma está iluminada</b></p>	<ul style="list-style-type: none"> <li>• La temperatura ambiente es excesivamente baja</li> <li>• Error del sensor</li> <li>• La temperatura del evaporador es demasiado baja</li> </ul>
<b>La pantalla no funciona y la luz interior no se enciende</b>	<ul style="list-style-type: none"> <li>• El aparato puede estar funcionando en modo de ahorro de energía o en modo sabático</li> </ul>

*Silhouette*

## GARANTÍA LIMITADA "A DOMICILIO"

Este producto de calidad está garantizado contra defectos de fabricación, incluyendo partes y mano de obra, siempre y cuando la unidad se utilice bajo las condiciones normales de funcionamiento para las que fue diseñado. Esta garantía está solamente disponible para la persona que haya comprado originalmente esta unidad directamente de Danby Products Limited (Canada) o Danby Products Inc. (U.S.A.) (en adelante "Danby") o uno de sus distribuidores autorizados, y no es transferible.

### CONDICIONES DE LA GARANTÍA

Las piezas plásticas, se autorizan por treinta (30) días solamente a partir de la fecha de la compra, sin las extensiones proporcionadas.

**Primeros 24 meses** Durante los primeros **veinticuatro (24) meses**, cualquier parte en buen estado de este producto que resulte defectuosa, incluyendo cualquier sistema sellado, será reparado o reemplazado, a opción del fabricante, sin cargo para el comprador original.

**Para obtener servicio** Comuníquese con el distribuidor donde haya comprado la unidad, o llame al Taller de Servicio Autorizado más cercano, donde debe ser reparada por un técnico calificado. Si esta unidad es reparada en otro lugar que no sea un Taller de Servicio Autorizado, o si la unidad se utiliza para aplicaciones comerciales, Danby no se hará responsable de ninguna forma y la garantía será anulada.

**Límites del servicio técnico a domicilio** Danby se reserva el derecho de limitar la cobertura de "Servicio en Domicilio" sujeto a la proximidad de un **Taller de Servicio Autorizado**. Para todo artefacto que requiera servicio fuera del área limitada de "Servicio en Domicilio", el cliente será responsable por transportar dicho artefacto hasta el Taller de Servicio Autorizado más cercano. Si el electrodoméstico está instalado en un lugar que se encuentra a **100 kilómetros (62 millas)** o más del centro de servicios más cercano, se debe llevar la unidad al Centro de servicios Danby autorizado más cercano, ya que dicho servicio sólo puede realizarlo un técnico calificado y certificado por Danby para prestar servicios de garantía.

Los cargos por transporte desde y hacia el lugar en que se efectúe el servicio técnico no están cubiertos por esta garantía y son de responsabilidad del comprador.

Nada dentro de esta garantía implica que Danby será responsable por cualquier daño que hayan sufrido los alimentos u otros contenidos de este aparato, ya sea debido a un defecto del aparato, o su uso, adecuado o inadecuado.

### EXCLUSIONES

Salvo lo aquí indicado por Danby, no existen otras garantías, condiciones o representaciones, explícitas o implícitas, concretas o intencionales por parte de Danby o sus distribuidores autorizados y todas las demás garantías, condiciones o representaciones, incluyendo cualquier garantía, condiciones o representaciones bajo cualquier Acta de Venta de Productos o legislación o estatuto similar, quedan de esta forma expresamente excluidas. **Salvo lo aquí indicado, Danby no serán responsables por ningún daño a personas o bienes, incluyendo la propia unidad, sin importar su causa, o de ningún daño indirecto causado por el desperfecto de la unidad, y al comprar esta unidad, el comprador acepta por la presente, indemnizar y proteger a Danby contra cualquier reclamo por daños a personas o bienes causados por la unidad.**

### CONDICIONES GENERALES

No se considerará ninguna de estas garantías o seguros cuando el daño o la necesidad de reparación sea el producto de los siguientes casos:

- 1) Falla del suministro eléctrico.
- 2) Daños en tránsito o durante el transporte de la unidad.
- 3) Alimentación incorrecta, como bajo voltaje, instalación eléctrica defectuosa o fusibles inadecuados.
- 4) Accidente, modificación, abuso o uso incorrecto del artefacto, tal como insuficiente ventilación del ambiente o condiciones de operación anormales (temperatura ambiente extremadamente alta o baja).
- 5) Utilización comercial o industrial (v.g., si el electrodoméstico no está instalado en una vivienda particular).
- 6) Incendio, daños por agua, robo, guerra, disturbios, hostilidades, actos de fuerza mayor como huracanes, inundaciones, etc.
- 7) Pedidos de servicio debido a desinformación del usuario.
- 8) Instalación inadecuada (v.g., instalación empotrada de un electrodoméstico diseñado como unidad independiente o uso de un electrodoméstico al aire libre que no esté aprobado para dicho fin, incluyendo pero no limitado a: garajes, patios, porches o en cualquier lugar que no esté bien aislado o controlado por el clima).

Se requerirá una prueba de la fecha de compra para reclamaciones de garantía; Retener las facturas de venta. En el caso de que se requiera servicio de garantía, presente el comprobante de compra a nuestro depósito de servicio autorizado.

**Servicio de Garantía**  
Servicio en Domicilio

Danby Products Limited  
PO Box 1778, Guelph, Ontario, Canada N1H 6Z9  
Telephone: (519) 837-0920 FAX: (519) 837-0449

**1-844-455-6097**  
04/17

Danby Products Inc.  
PO Box 669, Findlay, Ohio, U.S.A. 45840  
Telephone: (419) 425-8627 FAX: (419) 425-8629



---

**MODEL • MODÈLE • MODELO**

**SPRBC056D1SS**