

Silhouette SELECT[®]

OUTDOOR ALL REFRIGERATOR RÉFRIGÉRATEUR EXTÉRIEUR

- Owner's Use and Care Guide
- Guide d'utilisation et soin de Propriétaire

Model • Modèle
DOAR154SSST



CONTENTS

OUTDOOR ALL REFRIGERATOR

Owner's Use and Care Guide

1-9

- Safety Instructions
- Installation Instructions
- Features
- Operating Instructions
- Care and Maintenance
- Troubleshooting
- Warranty

CAUTION

Read and follow all safety rules and operating instructions before first use of this product.

PRECAUTION

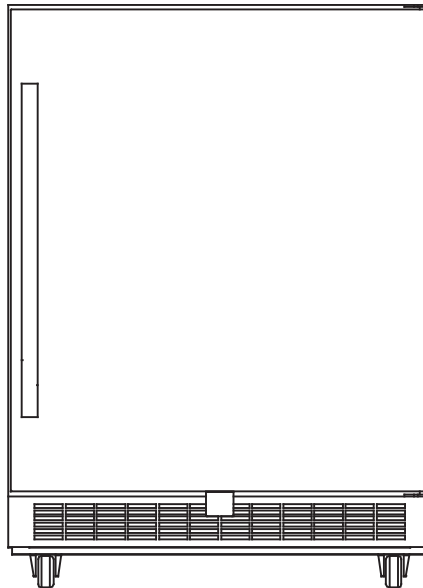
Veillez lire attentivement les consignes de sécurité et les instructions d'utilisation avant l'utilisation initiale de ce produit.

RÉFRIGÉRATEUR EXTÉRIEUR

Guide d'utiliser et soin de propriétaire

10-18

- Consignes de sécurité
- Consignes de Installation
- Caractéristiques
- Opération
- Soins et entretien
- Dépannage
- Garantie



Model • Modèle
DOAR154SSST

IMPORTANT SAFETY INFORMATION

READ ALL SAFETY INFORMATION BEFORE USING WARNING: RISK OF CHILD ENTRAPMENT

An empty outdoor all refrigerator is a very dangerous attraction to children. Remove either the gasket, latches, lids, lock and/or doors from unused or discarded appliances, or take some other action to guarantee it harmless.

DONT WAIT DO IT NOW!

PRECAUTIONS

To avoid installation/operation difficulties, read these instructions thoroughly.

- This appliance must be grounded. Connect only to a properly grounded outlet. See "Grounding Instructions" section.
- Do not operate this appliance if it has a damaged power cord or plug, if it is not working properly, or if the appliance has been damaged or dropped.
- Never allow children to operate, play with, or crawl inside the appliance.
- Never clean appliance parts with flammable fluids. The fumes can create a fire hazard or explosion.
- Do not store or use gasoline or any other flammable vapors or liquids in the vicinity of this or any other appliance. The fumes can create a fire hazard or explosion.
- Do not splice the power cord that is equipped with this appliance.
- Keep power cord away from heated surfaces.
- Do not immerse power cord plug or the appliance itself in water.
- Do not use this product near water—for example, in a wet basement, near a swimming pool or near a sink.
- Do not use corrosive chemicals or vapors in this appliance.
- Use this appliance only for its intended use, as described in this manual.
- Do not store perishable food items such as (but not limited to) meats and dairy products in your Outdoor All Refrigerator
- Store beverages in sealed containers only.
- See door surface cleaning instructions in the Care and Cleaning section(s) of this manual.
- Do not cover or block any openings on the appliance.
- This appliance is designed to be for free standing installation or out door use.
- This appliance should be serviced only by qualified service personnel. Contact the nearest authorized service facility for examination, repair or adjustment.

GROUNDING INSTRUCTIONS

WARNING:

Improper use of the grounding plug can result in a risk of electric shock.

- This appliance must be grounded. In the event of an electrical short circuit, grounding reduces the risk of electric shock by providing an escape wire for the electric current.
- This appliance is equipped with a power cord having a grounding wire with a grounding plug. The plug must be plugged into an outlet that is properly installed and grounded.
- Consult a qualified electrician or service technician if the grounding instructions are not completely understood, or if doubt exists as to whether the appliance is properly grounded.
- If the outlet is a standard 2-prong wall outlet, it is your personal responsibility and obligation to have it replaced with a properly grounded 3-prong wall outlet.
- For best operation, plug this appliance into its own electrical outlet to prevent flickering of lights, blowing of fuse or tripping of circuit breaker.
- **Do not** under any circumstances cut or remove the third (ground) prong from the power cord.
- **Do not** use an adapter plug with this appliance.
- **Do not** use an extension cord with this appliance. If the power cord is too short, have a qualified electrician or service technician install an outlet near the appliance.

SAVE THESE INSTRUCTIONS

INSTALLATION INSTRUCTIONS

BEFOR USING YOUR OUTDOOR ALL REFRIGERATOR

- Remove the exterior and interior packing.
- Before connecting the outdoor all refrigerator to the power source, let it stand upright for approximately 2 hours. This will reduce the possibility of a malfunction in the cooling system from handling during transportation.
- Clean the interior surface with lukewarm water using a soft cloth.
- When replacing the illuminating light, please select the light which comply with the rated power input of the lamp according to the rating label. Shut off the power supply before replacing the light.
- When disposing your appliance, please choose an authorized disposal site.

LOCATION

- Selecting the proper location will ensure peak performance levels of your appliance. Choose a location where the unit will not be exposed to heat emitting sources (e.g. fireplace or a barbecue).
- The outdoor all refrigerator should not be exposed to direct sunlight. Keep the outdoor all refrigerator shaded. Prolonged exposure to direct sunlight may increase cooling time and electricity consumption (energy costs).
- Do not use this product near water, for example: in a wet basement, near a swimming pool or sink.
- The appliance should be covered (protected) from any precipitation.

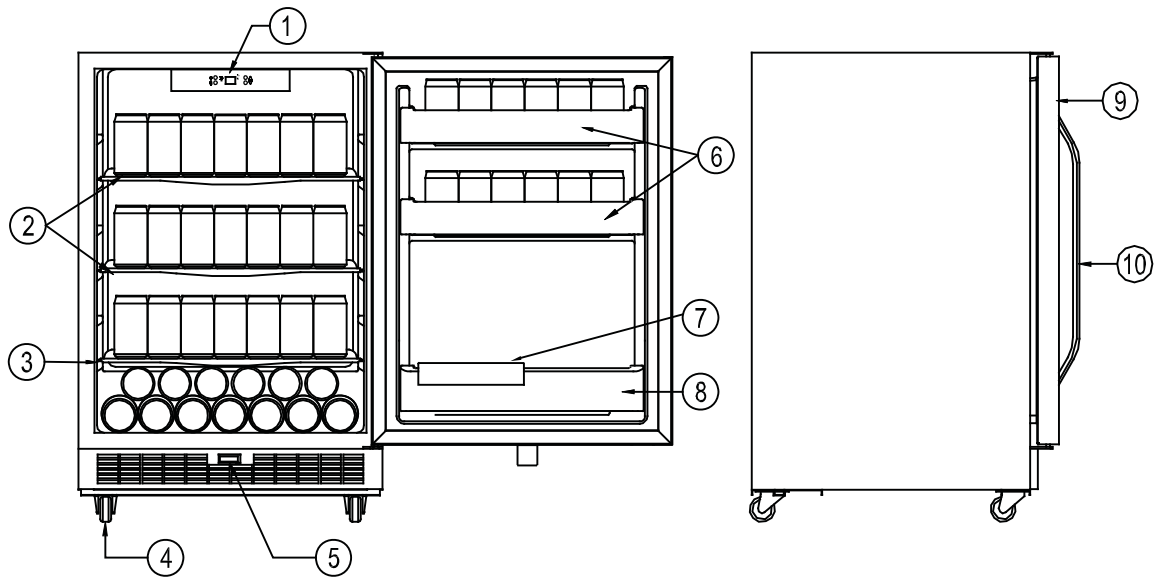
INSTALLATION OF YOUR OUTDOOR ALL REFRIGERATOR

- Place your outdoor all refrigerator on a floor that is strong enough to support it when it is fully loaded.
- Locate the outdoor all refrigerator away from direct sunlight and sources of heat (stove, heater, radiator, etc.). Direct sunlight may affect the acrylic coating and heat sources may increase electrical consumption. Extreme cold ambient temperatures may also cause the unit not to perform properly.
- Avoid locating the unit in moist areas.
- Plug the outdoor all refrigerator into an exclusive, properly installed-grounded wall outlet. Do not under any circumstances cut or remove the third (ground) prong from the power cord. Any questions concerning power and/or grounding should be directed toward a certified electrician or an authorized Products service center.

ATTENTION

- Store beverage in sealed bottles;
- Do not overload the cabinet;
- Do not open the door unless necessary;
- Do not cover shelves with aluminum foil or any other shelf material which may prevent air circulation;
- Should the outdoor all refrigerator be stored without use for long periods it is suggested, after a careful cleaning, to leave the door ajar to allow air to circulate inside the cabinet in order to avoid possible formations of condensation, mold or odors.

FEATURES

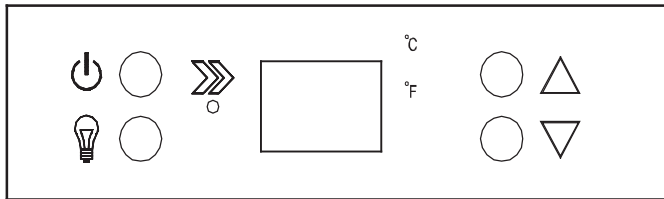


1. Control panel : For viewing and regulating the temperature for the outdoor all refrigerator.
2. Full glass shelf with white trim in front and back
3. Small glass shelf with white trim in front and back
4. Caster
5. Interior Light Toggle Switch: To control the light turns on when the door is open and turns off when the door is closed.
6. storage box on the door
7. baffle plate
8. milk bottle box
9. Stainless steel door that is fully foamed
10. UK style handle

OPERATING INSTRUCTIONS

Please use the cabinet under 41-90°F (5-32°C) ambient temperature, if the ambient temperature is higher than or lower than this temperature, it will cause the temperature fluctuation in the cabinet, maybe can't reach 36-50°F (2-10°C).

CONTROL PANEL INSTRUCTIONS



Indicator light illuminates to signify the cooling mode is currently in operation.

Control the interior light ON/OFF.

To turn on/off appliance(press and hold this button for approximately 3 seconds).

Used to raise(warm) the temperature by 1°F or 1°C.

Used to lower (cool) the temperature by 1°F or 1°C.

(°C / °F) Adjacent indicator light denotes which scale of temperature is displayed.

SETTING THE TEMPERATURE CONTROLS

When you plug in your outdoor all refrigerator for the first time the temperature will automatically be set to 41 °F (5°C) and will be displayed in the Fahrenheit scale (°F)

- The temperature range can be set as low as 36 °F (2°C) or as high as 50°F (10°C) to suit your specific storage requirements. Each depression of the \triangle ∇ buttons will allow you adjust the temperature in 1° degree increments within the aforementioned range.
- To switch the display between the Fahrenheit (°F) and Celsius (°C) scale, depress the \triangle ∇ buttons simultaneously for approximately 3-5 seconds.

FUNCTIONS

Temperature Memory Function

If the power is lost, the set temperature will be saved by the unit and once the power is back on the unit it will be the same set temperature.

Door Close Reminding Function

- When you forget to close the door or the door is not fully closed, there will be warning alarm after 5 minutes.

Temperature Alarm Function

- If inner temperature is higher than 73°F (23°C), the "HI" is shown in the display panel and the buzzer alarm will sound continuously after one hour. This alarm informs you that the inner temperature is too high and to check the reason why.
- If inner temperature is lower than 32°F (0°C), the "LO" is shown in the display panel and the buzzer alarm and the malfunction indicator light will both be on.

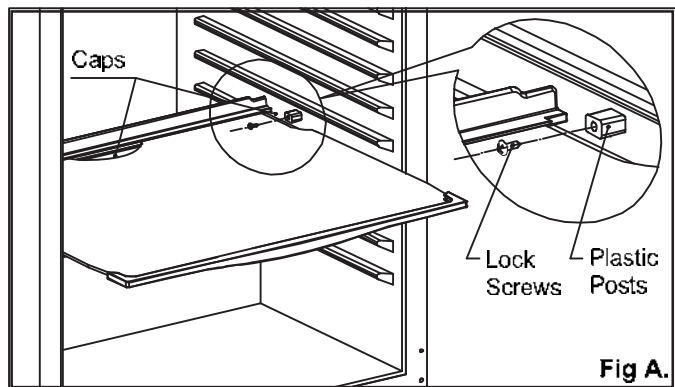
SHELVES

IMPORTANT!

Do not cover the gap on the glass shelves with aluminum foil or any other material that will prevent adequate air circulation within the cabinet.

When removing any of these shelves out of the rail compartment, you must first disassemble and remove the plastic posts then remove the Lock screws that hold each post in place.(Fig A)

To re-install, ensure the shelf is resting securely on the support brackets and push shelf inward until it locks into place.



OPERATING INSTRUCTIONS

BEVERAGE STORAGE

The unit can store a maximum of 123/330ml beverage cans, 2 bottles of 2 gallon milk bottles. Detail storage method please see **Fig.B**.

Location A: Each full glass shelf can keep 35 (330ml) cans.

Location B: Small glass shelf can keep 28 (330ml) cans.

Location C: Bottom of the unit can keep 13 (330ml) cans.

Location D: Each storage box can keep 6 (330ml) cans.

Location E: Milk box can keep 2 (2 gallon milk) bottles or 2 litre beverage bottles see **FIG.C**.

> If you need to keep a 2 gallon milk bottle, please take down the block board as shown below (see **Fig. C**) and keep the block board in the place where children can't touch it to avoid injury.

> If you need to keep 2 litre beverage bottle, put the block board back in place.

WARNING:

When there is no beverage inside the cabinet, do not put the 2 gallon milk container into the milk box to avoid falling out.

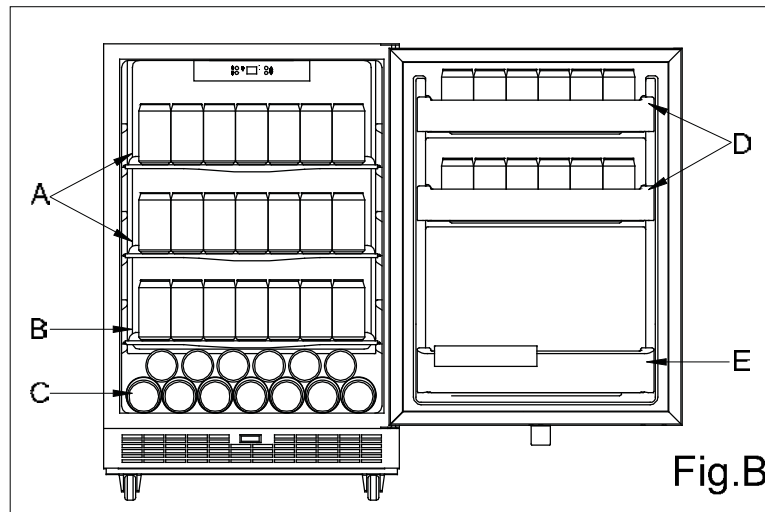


Fig.B

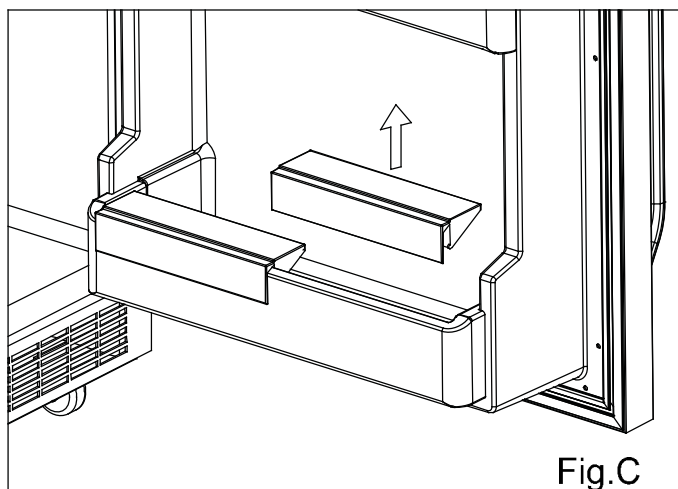
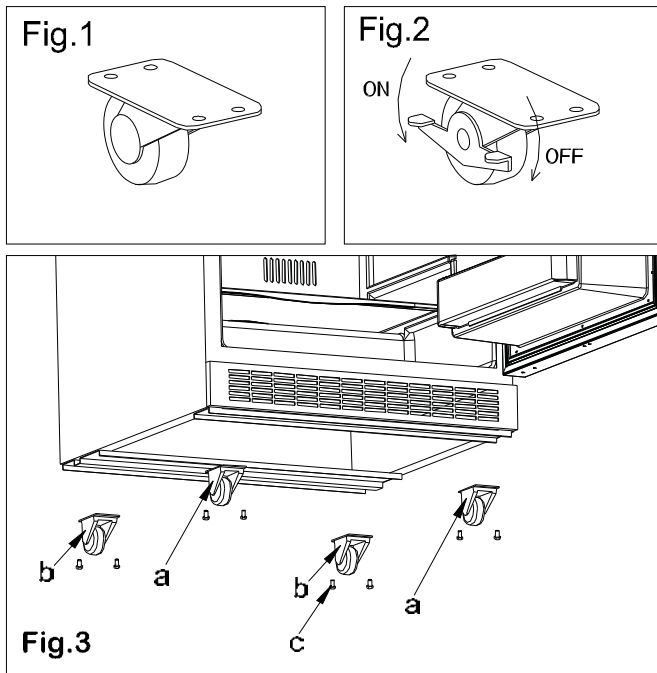


Fig.C

OPERATING INSTRUCTIONS

CASTER ROLLER INSTALLATION

WARNING!



- Please unplug the powercord and release the brake before moving the cabinet.
- Please do not put any goods on top of the cabinet and avoid slanting the cabinet when moving it.
- Do not let children climb the cabinet or move the cabinet to another location.
- Push the cabinet from the back when going over slopes and bumps when moving the cabinet and make sure the door does not swing open.
- Do not use the cabinet outside when the weather is bad in order to avoid short circuits.

1. Take out the 2 castors (Fig.1 rear wheel), castor with brake (Fig.2 front wheel) and 8 M5x10 screws (Fig.3C) from the spare parts box.
2. This installation requires 2 people, one person to tilt the cabinet back the other person to assemble the 2 castors with brake (Fig.2 front wheel) in the front bottom of the cabinet with 2 M5x10 screws for each wheel.
3. Please release brake (Fig.2 front wheel) and assemble the 2 castors at the back bottom of the cabinet with 2 M5x10 screws for each wheel.
4. Please twist the wheel clockwise and move the cabinet freely.

CARE AND MAINTENANCE

CLEANING YOUR OUTDOOR ALL REFRIGERATOR

- Turn off the power, unplug the appliance, and remove all items including shelves and rack.
- Wash the inside surfaces with a warm water and baking soda solution. The solution should be about 2 table spoons of baking soda to a quart of water.
- Wash the shelves with a mild detergent solution.
- Wring excess water out of the sponge or cloth when cleaning area of the controls, or any electrical parts.
- Wash the outside cabinet with warm water and mild liquid detergent. Rinse well and wipe dry with a clean soft cloth.

POWER FAILURE

- Most power failures are corrected within a few hours and should not affect the temperature of your appliance if you minimize the number of times the door is opened. If the power is going to be off for a longer period of time, you need to take the proper steps to protect your contents.

VACATION TIME

- **Short vacations:** Leave the beverage cooler operating during vacations of less than three weeks.
- **Long vacations:** If the appliance will not be used for several months, remove all items and turn off the appliance. Clean and dry the interior thoroughly. To prevent odor and mold growth, leave the door open slightly: blocking it open if necessary.

MOVING YOUR OUTDOOR ALL REFRIGERATOR

- Remove all items.
- Securely tape down all loose items (shelves) inside your appliance.
- Tape the door shut.
- Be sure the appliance stays secure in the upright position during transportation. Also protect outside of appliance with a blanket, or similar item.

ENERGY SAVING TIPS

- The outdoor all refrigerator should be located in the coolest area of the room, away from heat producing appliances, and out of the direct sunlight.

TROUBLESHOOTING

Occasionally, a problem is minor and a service call may not be necessary- use this troubleshooting guide for a possible solution. If the unit continues to operate improperly, call an authorized service depot or **Danby's Toll Free Number 1-800-263-2629** for assistance.

PROBLEM	POSSIBLE CAUSE	SOLUTIONS
1) The Outdoor All Refrigerator does not operate.	<ul style="list-style-type: none"> • Not plugged in • The appliance is turned off • The circuit breaker tripped or fuse has been blown. 	<ul style="list-style-type: none"> • Plug in the unit. • Press the ON button. • Reset circuit breaker; check fuses.
2) The Outdoor All Refrigerator is cold enough.	<ul style="list-style-type: none"> • Check the temperature control setting • External environment may require a higher setting. • The door is opened too often • The door is not closed completely • The door gasket does not seal properly 	<ul style="list-style-type: none"> • Adjust setting as needed. • Adjust setting as needed. • Limit open door duration. • Close door securely. • Ensure the gasket is clean.
3) Turns on and off frequently.	<ul style="list-style-type: none"> • The room temperature is hotter than normal. • A large amount of beverage has been added to the Outdoor All Refrigerator. • The door is opened too often • The door is not closed completely • The temperature control is not set correctly • The door gasket does not seal properly 	<ul style="list-style-type: none"> • This is normal. • Limit amount of warm beverage introduced at one time. • Limit amount of door openings. • Close door securely. • Adjust setting as needed. • Ensure the gasket is clean.
4) The light does not work.	<ul style="list-style-type: none"> • Not plugged in • The circuit breaker tripped or a blown fuse • The bulb has burned out • The light button is "OFF" 	<ul style="list-style-type: none"> • Plug in the unit. • Reset circuit breaker; check fuses. • Replace the bulb; see pg. • Switch light button to "ON".
5) Vibrations.	<ul style="list-style-type: none"> • Ensure that the Outdoor All Refrigerator is level. 	<ul style="list-style-type: none"> • Level the Outdoor All Refrigerator.
6) The Outdoor All Refrigerator make too much noise.	<ul style="list-style-type: none"> • The rattling noise may come from the flow of the refrigerant, which is normal. As each cycle ends, you may hear gurgling sounds caused by the flow of refrigerant in your Outdoor All Refrigerator. • Contraction and expansion of the inside walls may cause popping and crackling noises. • The refrigerator is not level 	<ul style="list-style-type: none"> • This is normal. • This is normal. • Level the Outdoor All Refrigerator.

Silhouette
SELECT.

LIMITED COMPACT REFRIGERATOR WARRANTY

This quality product is warranted to be free from manufacturer's defects in material and workmanship, provided that the unit is used under the normal operating conditions intended by the manufacturer.

This warranty is available only to the person to whom the unit was originally sold by Danby or by an authorized distributor of Danby, and is non-transferable.

TERMS OF WARRANTY

Plastic parts, are warranted for thirty (30) days only from purchase date, with no extensions provided.

First Two Years During the first twenty four (24) months, any electrical parts of this product found to be defective, including any sealed system units, will be repaired or replaced, at warrantor's option, at no charge to the ORIGINAL purchaser.

To obtain Service (at was Danby reserves the right to limit the boundaries of "In Home Service" to the proximity of an Authorized Service Depot. Any appliance requiring service outside the limited boundaries of "In Home Service", it will be the consumer's responsibility to transport the appliance (at their own expense) to the original retailer (point of purchase) or a service depot for repair. Contact your dealer from whom your unit was purchased, or contact your nearest authorized Danby service depot, where service must be performed by a qualified service technician. If service is performed on the units by anyone other than an authorized service depot, or the unit is used for commercial application, all obligations of Danby under this warranty shall be at an end.

Nothing within this warranty shall imply that Danby will be responsible or liable for any spoilage or damage to food or other contents of this appliance, whether due to any defect of the appliance, or its use, whether proper or improper.

EXCLUSIONS

Save as herein provided, Danby Products Limited (Canada) or Danby Products Inc. (U.S.A.), there are no other warranties, conditions, representations or guarantees, express or implied, made or intended by Danby Products Limited or its authorized distributors and all other warranties, conditions, representations or guarantees, including any warranties, conditions, representations or guarantees under any Sale of Goods Act or like legislation or statute is hereby expressly excluded. Save as herein provided, Danby Products Limited (Canada) or Danby Products Inc. (U.S.A.), shall not be responsible for any damages to persons or property, including the unit itself, howsoever caused or any consequential damages arising from the malfunction of the unit and by the purchase of the unit, the purchaser does hereby agree to indemnify and save harmless Danby Products Limited from any claim for damages to persons or property caused by the unit.

GENERAL PROVISIONS

No warranty or insurance herein contained or set out shall apply when damage or repair is caused by any of the following:

- 1) Power Failure.
- 2) Damage in transit or when moving the appliance.
- 3) Improper power supply such as low voltage, defective house wiring or inadequate fuses.
- 4) Accident, alteration, abuse or misuse of the appliance such as inadequate air circulation in the room or abnormal operating conditions. (extremely high or low room temperature).
- 5) Use for commercial or industrial purposes.
- 6) Fire, water damage, theft, war, riot, hostility, acts of God such as hurricanes, floods etc.
- 7) Service calls resulting in customer education.

Proof of purchase date will be required for warranty claims; so, please retain bills of sale. In the event warranty service is required, present this document to our AUTHORIZED SERVICE DEPOT.

Warranty Service

In Home Service on models 3.0 cu. ft. or greater.

Danby Products Limited
PO Box 1778, 5070 Whitelaw RD, Guelph, Ontario, Canada N1H 6Z9
Telephone: (519) 837-0920 FAX: (519) 837-0449

Danby Products Inc.
PO Box 669, 101 Bentley Court, Findlay, Ohio, U.S.A. 45840
Telephone: (419) 425-8627 FAX: (419) 425-8629

CONSIGNES DE SÉCURITÉ IMPORTANTES

**LISEZ TOUTES LES INFORMATIONS DE SÉCURITÉ AVANT DE FAIRE FONCTIONNER L'APPAREIL.
AVERTISSEMENT: RISQUE DES DENFANTS DEVIENNENT COINCERADANS L'APPAREIL.**

Un vide Réfrigérateur Extérieur est une attraction dangereuse aux enfants. Enlever les joints étanches, les loquets, les couvercles ou les porte des appareils qui ne sont pas utiliser, ou faites de soit que l'appareil ne présente aucun danger.

N'ATTENDEZ PAS! FAITES-LE IMMEDIATEMENT!

DIRECTIVES DE RANGEMENT

Cet appareil est conçu pour un usage domestique à l'intérieur seulement. N'entreposez ni n'utilisez pas cet appareil à l'extérieur.

- Cet appareil doit être mis à la terre. Branchez le seulement dans une prise correctement mise à la terre. Référez-vous au chapitre "Instructions de mise à la terre".
- Ne faites pas fonctionner cet appareil s'il a un cordon ou fiche électrique endommagé, s'il ne fonctionne pas correctement, ou si l'appareil a été endommagé ou échappé.
- N'épissez pas le cordon électrique.
- Ne permettez jamais à un enfant de faire fonctionner l'appareil, de jouer avec ou de ramper à l'intérieur.
- Ne nettoyez jamais des pièces de l'appareil avec un liquide inflammable. Les vapeurs peuvent constituer un risque d'incendie ou provoquer une explosion.
- N'entreposez et n'utilisez pas d'essence ou d'autres liquides ou vapeurs inflammables à proximité de cet appareil ou de tout autre appareil. Les vapeurs peuvent constituer un risque d'incendie ou provoquer une explosion. Gardez le cordon électrique éloigné des sources de chaleur.
- N'immersez pas le cordon ou sa fiche dans aucun liquide.
- N'utilisez pas cet appareil près de bassins d'eau, par exemple dans un sous-sol détrempé, près d'une piscine ou d'un évier.
- N'utilisez pas de produits chimiques ou vapeurs corrosives dans/près de cet appareil.
- N'utilisez cet appareil que pour les fins aux quelles il est conçu comme indiqué dans ce guide.
- Ne placez pas les articles périssables de nourriture dans votre appareil (pour exemple, les viandes et les produits laitiers)
- Référez-vous aux instructions de nettoyage du fini de la porte se trouvant au chapitre de Soins et nettoyage de ce guide.
- Cet appareil est conçu pour être installé de façon autonome ou à l'extérieur.
- Cet appareil ne devrait être réparé que par du personnel qualifié. Pour tout examen, réparation ou réglage, contactez votre centre de service le plus rapproché.

MISE À LA TERRE

AVERTISSEMENT

utilisation incorrecte de la prise de terre peut entraîner un risque de choc électrique.

- Cet appareil doit être mis à la terre. Dans l'éventualité d'un court-circuit, la mise à la terre procure un chemin direct de contournement du courant pour prévenir l'électrocution des manipulateurs de l'appareil.
- Cet appareil est muni d'un cordon comprenant une fiche et fil de mise à la terre.
- La fiche doit être branchée dans une prise correctement installée et mise à la terre.
- Si les directives de mise à la terre ne sont pas tout à fait comprises ou en cas de tout doute relatif à la mise à la terre appropriée de l'appareil, faites appel à un électricien ou à un technicien qualifié.
- Si la prise murale est une prise à 2 branches, c'est votre obligation, et la responsabilité vous en incombe, de la faire remplacer par une prise à trois branches adéquatement mise à la terre.
- Pour un meilleur rendement et pour éviter que les ampoules d'éclairage de la résidence soient affectées d'un affaiblissement de tension, ou que le fusible ou disjoncteur du circuit ne grille ou ne se déclenche, dédiez un circuit individuel d'alimentation à la machine à glaçons (prise (double) unique sur le circuit).
- Sous aucun prétexte il est permis de couper ou d'enlever la troisième branche (mise à la terre) de la fiche du cordon électrique.
- N'utilisez pas d'adaptateur de fiche avec cet appareil.
- N'utilisez pas de cordon de rallonge avec cet appareil. Si le cordon électrique de l'appareil ne rejoint pas la prise murale, faites installer une prise plus rapprochée par un électricien ou un technicien qualifié.

SAUVEGARDE CES INSTRUCTIONS

CONSIGNES D'INSTALLATION

AVANT D'UTILISER VOTRE RÉFRIGÉRATEUR EXTÉRIEUR

- Enlevez l'emballage extérieur et intérieur.
- Avant de brancher la réfrigérateur extérieur sur la source d'alimentation, laissez-la reposer à la verticale pendant environ 2 heures. Cela réduira le risque que le système de refroidissement subisse une défaillance causée par la manutention lors du transport.
- Nettoyez la surface intérieure à l'eau tiède, au moyen d'un chiffon doux.
- Lors de la vidange de votre appareil, choisissez un site d'élimination autorisé.
- Lors du remplacement de la lumière qui éclaire, s'il vous plaît sélectionner la lumière qui se conformer à la l'entrée de puissance de la lampe en fonction de la plaque signalétique. Coupez l'alimentation avant de remplacer la lumière.

EMPLACEMENT

- Le choix du bon emplacement permettra à votre appareil d'avoir un rendement maximal. Choisissez un endroit où l'appareil ne sera pas exposé à des sources génératrices de chaleur (p. ex., un foyer ou un barbecue).
- Le Centre de Breuvages ne doit pas être exposé à la lumière directe du soleil. Le Centre de Breuvages doit être installé à l'ombre. L'exposition prolongée à la lumière directe du soleil peut faire augmenter la durée de refroidissement et la consommation d'électricité (coûts de l'énergie).
- N'utilisez pas ce produit près de l'eau, par exemple dans un sous-sol humide, près d'une piscine ou d'un évier.
- L'appareil doit être couvert pour le protéger contre les précipitations.

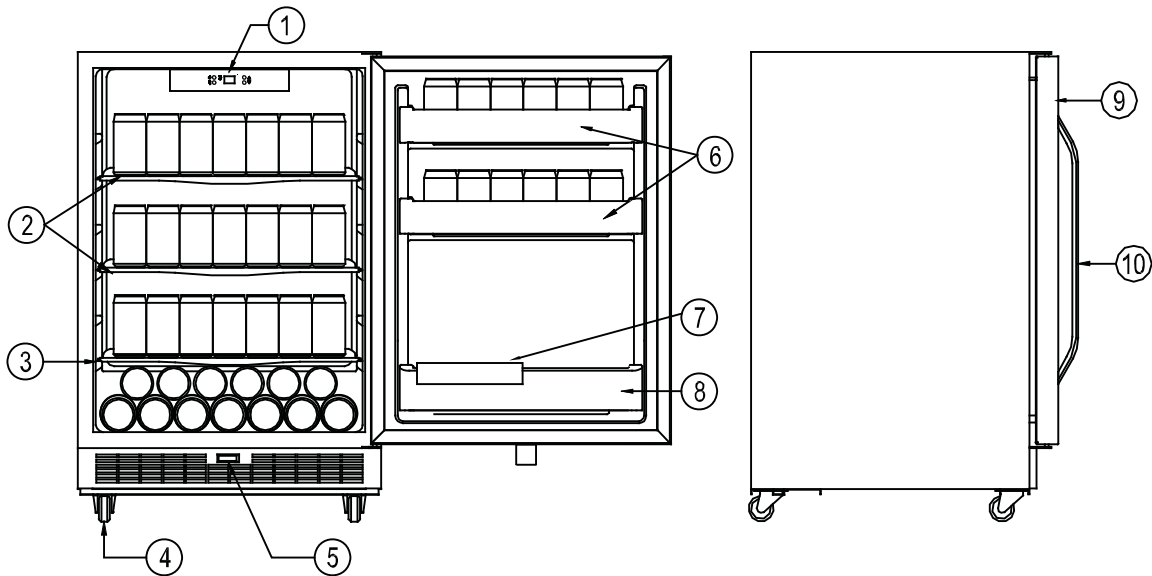
INSTALLATION DE VOTRE RÉFRIGÉRATEUR EXTÉRIEUR

- Placez votre réfrigérateur extérieur sur un sol suffisamment solide pour la supporter une fois pleine.
- Installez la unité à l'abri des rayons directs du soleil et de toute source de chaleur (four, appareil de chauffage, radiateur, etc.). Les rayons directs du soleil peuvent endommager le revêtement acrylique extérieur de l'appareil; quant aux sources de chaleur, elles peuvent entraîner une augmentation de sa consommation électrique. Les températures extrêmement basses peuvent provoquer un mauvais fonctionnement de l'appareil.
- Évitez d'installer l'appareil dans une zone humide.
- Branchez l'appareil dans une prise murale exclusive, bien installée et mise à la terre. Sous aucun prétexte, vous ne devez couper ou enlever la troisième broche (mise à la terre) de la fiche du cordon électrique. Pour toute question relative à l'alimentation ou à la mise à la terre, faites appel à un électricien qualifié ou à un centre de service autorisé.

ATTENTION

- N'ouvrez la porte qu'en cas de besoin.
- Lorsque la réfrigérateur extérieur est entreposée pour une longue période sans être utilisée, on recommande, après un nettoyage minutieux, de laisser la porte ouverte afin de faire circuler l'air à l'intérieur, de façon à éviter l'apparition de condensation, de moisissure ou d'odeurs.

CARACTÉRISTIQUES

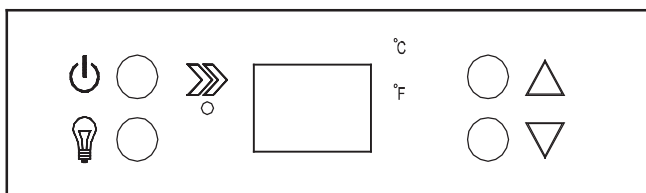



1. Panneau de commande : permet de voir et de régler la température du tout réfrigérateur
2. Tablette en verre pleine largeur avec garniture blanche à l'avant et à l'arrière
3. Petite tablette en verre avec garniture blanche à l'avant et à l'arrière
4. Roue pivotante
5. Interrupteur à bascule pour l'éclairage intérieur : La lumière s'allume lorsque la porte est ouverte et s'éteint lorsque la porte est fermée.
6. Bac de rangement sur la porte
7. Déflecteur
8. Bac pour bouteilles de lait
9. Porte en acier inoxydable entièrement garnie de mousse
10. Poignée de style britannique

OPÉRATION


Veillez n'utiliser l'enceinte que lorsque la température ambiante se situe entre 41 et 90 °F (5 et 32 °C). Si la température ambiante est supérieure à la valeur maximale ou inférieure à la valeur minimale, la température fluctuera à l'intérieur de l'enceinte, qui ne pourra peut-être pas atteindre une température entre 36 et 50 °F (2 et 10 °C).

DIRECTIVES RELATIVES AU PANNEAU DE COMMANDE



 Le témoin lumineux s'allume pour indiquer que le mode de refroidissement est en cours de fonctionnement.

 Contrôle de l'éclairage intérieur ALLUMER/ÉTEINDRE.

 Pour allumer ou éteindre l'appareil, appuyez sur ce bouton et maintenez-le enfoncé pendant environ 3 secondes.


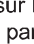


 Augmente la température de 1°C ou 1°F.

 Diminue la température de 1°C ou 1°F.

(°C/°F) Témoin lumineux adjacent qui indique l'échelle de la température affichée.

RÉGLAGE DES COMMANDES DE TEMPÉRATURE

Lorsque vous branchez votre réfrigérateur extérieur pour la première fois, la température est réglée automatiquement à 41 °F (5 °C) et est affichée en degrés Fahrenheit (°F).

- La plage de température peut être réglée à 36 °F (2 °C) au minimum ou à 50 °F (10 °C) au maximum pour répondre à vos besoins spécifiques d'entreposage. Chaque pression sur les boutons   vous permet de régler la température par paliers de 1° dans la plage susmentionnée.
- Pour permuter l'affichage entre les degrés Fahrenheit (°F) et les degrés Celsius (°C), maintenez les boutons   enfoncés simultanément pendant environ 3 à 5 secondes.

FONCTIONS

Fonction de mémorisation de la température

- La température réglée est sauvegardée par l'appareil en cas de perte de courant; lorsque le courant revient, l'appareil revient à la même température.

Fonction de rappel de porte ouverte

- Lorsque vous oubliez de fermer la porte ou lorsqu'elle n'est pas complètement fermée, une alarme d'avertissement se déclenche au bout de 5 minutes.

Fonction alarme de température

- Si la température interne atteint plus de 73°F(23°C), « HI » apparaît sur le panneau d'affichage et la sonnerie s'allume au bout d'une heure. Cela nous informe que la température interne de l'appareil est trop élevée, s'il vous plaît vérifier l'appareil et régler le problème.
- Si la température interne est moins de 32°F(0°C), « LO » apparaît sur le panneau d'affichage. De plus, l'alarme et le témoin d'anomalie s'allument en même temps.

TABLETTES

IMPORTANT!

Ne recouvrez pas l'espace sur les tablettes en verre d'une feuille d'aluminium ou de quelque autre matériau, cela pour ne pas nuire à la circulation adéquate de l'air dans l'enceinte.

Lorsque vous retirez l'une de ces tablettes du compartiment coulissant, vous devez d'abord démonter et enlever les supports en plastique, puis enlever les vis de blocage qui maintiennent chaque support en place. (**schéma A**)

Pour réinstaller la tablette, assurez-vous qu'elle est bien posée sur les pattes de support, et poussez-la vers l'arrière jusqu'à ce qu'elle se verrouille en position.

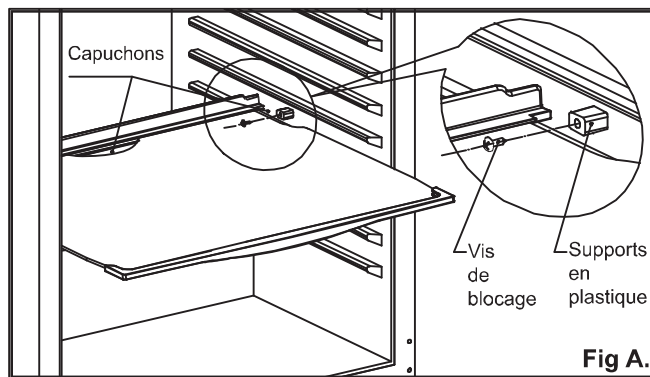


Fig A.

OPÉRATION

RANGEMENT DES BOISSONS

L'appareil peut conserver un maximum de 123 cannettes de 330 ml et 2 bouteilles de 2 gallons de lait. Pour obtenir la méthode détaillée de rangement, veuillez vous reporter au **schéma B**.

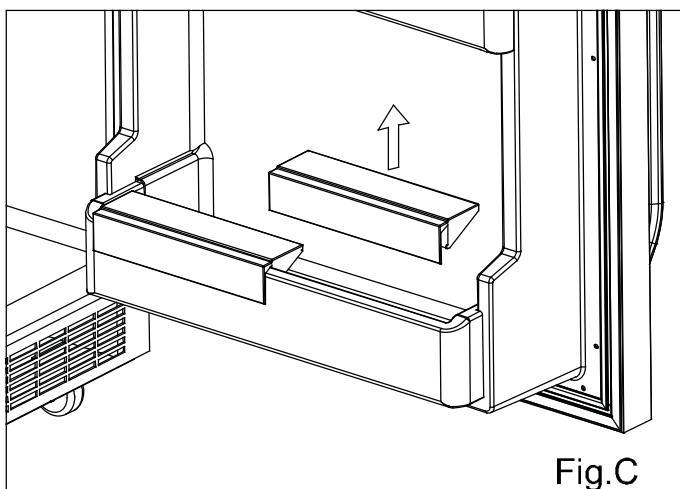
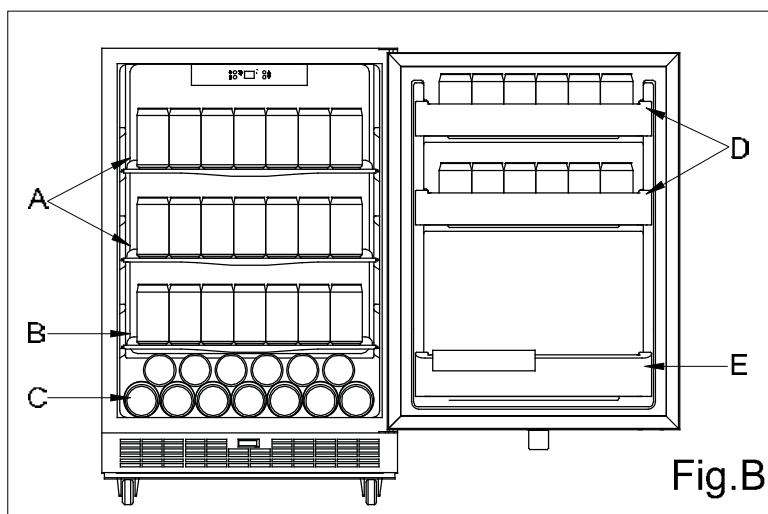
- Emplacement A : 35 cannettes de 330 ml peuvent être rangées sur chaque grande tablette de verre
- Emplacement B : 28 cannettes de 330 ml peuvent être rangées sur chaque petite tablette de verre
- Emplacement C : 13 cannettes de 330 ml peuvent être rangées dans le fond de l'unité
- Emplacement D : 6 cannettes de 330 ml peuvent être rangées dans chaque bac de rangement
- Emplacement E : 2 bouteilles de 2 gallons de lait ou 2 bouteilles de boissons de 2 litres peuvent être rangées dans le bac pour bouteilles de lait **Schéma C**.

> Si vous devez conserver une bouteille de lait de 2 gallons, veuillez enlever le morceau de blocage tel qu'illustré ci-dessous (voir le **schéma C**) et gardez-le à un endroit où les enfants ne peuvent pas y toucher afin d'éviter les blessures.

> Si vous devez conserver une bouteille de boissons de 2 litres, remettez le morceau de blocage en place.

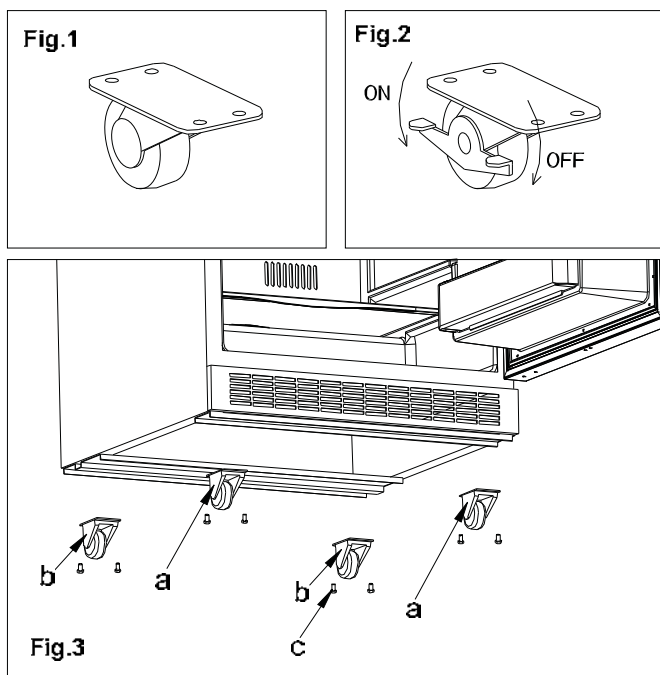
⚠ ATTENTION

Lorsqu'il n'y a pas de boissons dans l'enceinte, ne mettez pas de bouteille de lait de 2 gallons dans le bac pour bouteilles de lait pour éviter qu'elle ne tombe.



OPÉRATION

INSTALLATION DES ROUES PIVOTANTES



AVERTISSEMENT!

- Débranchez le cordon d'alimentation et désactivez le frein avant de déplacer la carrosserie;
- Ne mettez pas d'objets sur le dessus de la carrosserie et n'inclinez pas la carrosserie lors des déplacements;
- Assurez-vous qu'aucun enfant ne grimpe sur la carrosserie lorsque celle-ci est déplacée vers un autre endroit.
- Poussez sur l'arrière de la carrosserie et inclinez-la de façon à ce que la porte soit orientée vers le haut, afin que la porte ne puisse pas s'ouvrir et heurter quelqu'un ou quelque chose lors des déplacements.
- N'utilisez pas la carrosserie à l'extérieur lorsque le temps est mauvais afin d'éviter les courts-circuits.

1. Sortez de la boîte de pièces de rechange les 2 pièces des roues pivotantes (fig.1, roue arrière), les roues pivotantes avec frein (fig.2, roue avant) et les 8 vis M5×10 (fig.3 C);
2. Deux personnes sont nécessaires pour cette installation: une pour incliner la carrosserie vers l'arrière, et l'autre pour installer les roues pivotantes. Les roues pivotantes avec frein (fig.2, roues avant) sont installées à l'avant et en bas de la carrosserie et sont fixées au moyen de 2 vis M5×10 par roue.
3. Mettez le frein sur la position « OFF » (fig.2, roue avant) et installez les 2 roues pivotantes à l'arrière et en bas au moyen de 2 vis M5×10 par roue.
4. Tournez les roues dans le sens des aiguilles d'une montre et déplacez la carrosserie librement

SOINS ET ENTRETIEN

NETTOYAGE DE VOTRE RÉFRIGÉRATEUR SANS CONGÉLATEUR DE

- Mettre le unité hors tension et le débrancher, puis retirez tout ce qu'il y a sur les tablettes et les supports.
- Lavez les surfaces internes avec une solution d'eau chaude et de bicarbonate de sodium. La solution doit contenir 2 cuillérées à table de bicarbonate de sodium dans un litre d'eau.
- Lavez les étagères avec une solution de détergent doux.
- Essorez l'éponge ou le chiffon pour en retirer l'excès d'eau lorsque vous nettoyez la zone des commandes ou des pièces électriques.
- Lavez l'extérieur du réfrigérateur extérieur avec de l'eau chaude et un détergent liquide doux. Rincez bien et essuyez avec un chiffon doux propre et sec.

DÉPLACEMENT DE VOTRE RÉFRIGÉRATEUR SANS CONGÉLATEUR DE

- Retirez tout ce qu'il contient.
- Immobilisez avec du ruban-cache tout ce qui est mobile (tablettes) dans l'appareil.
- Maintenez la porte fermée avec du ruban-cache.
- Assurez-vous que le réfrigérateur extérieur reste bien en position verticale pendant son transport. Protégez aussi l'extérieur du réfrigérateur extérieur avec une couverture ou l'équivalent.
- Le réfrigérateur extérieur devrait être installé dans l'endroit le plus frais de la pièce, loin des sources de chauffage et des rayons directs du soleil.

PANNE DE COURANT

- La plupart des pannes de courant ne durent que quelques heures et ne devraient pas modifier la température de votre réfrigérateur extérieur si vous réduisez au maximum le nombre de fois où la porte est ouverte. Si le courant reste coupé pendant une longue période, il faut prendre des mesures de protection du contenu de l'appareil.

PÉRIODE DE VACANCES

- **Courtes vacances** : Laissez le unité fonctionner pendant les vacances durant moins de trois semaines.
- **Longues vacances** : Si le unité ne doit pas être utilisé pendant plusieurs mois, retirez tout ce qu'il contient et mettez-le hors tension. Nettoyez et asséchez à fond l'intérieur. Pour éviter les odeurs et le développement de moisissures, laissez la porte entrouverte: la coincer au besoin.

DÉPANNAGE

Il peut arriver qu'un problème mineur se produise qui ne nécessite pas d'appel de service : consultez ce guide de dépannage pour trouver une solution possible. Si l'appareil continue de mal fonctionner, appelez un atelier de réparation autorisé ou le numéro sans frais de Danby 1-800-263-2629 , pour obtenir de l'assistance.

PROBLÈME	CAUSE POSSIBLE	SOLUTIONS
1) Le réfrigérateur extérieur ne fonctionne pas.	<ul style="list-style-type: none"> Appareil débranché Appareil éteint Le disjoncteur s'est éteint ou un fusible a sauté 	<ul style="list-style-type: none"> Branchez l'appareil. Appuyez sur le bouton Marche (ON). Réarmez le disjoncteur, vérifiez les fusibles.
2) Le réfrigérateur extérieur ne refroidit pas suffisamment.	<ul style="list-style-type: none"> Vérifiez le réglage de la commande de température. L'environnement extérieur peut nécessiter une température de consigne plus élevée. La porte est trop souvent ouverte. La porte n'est pas complètement fermée Le joint de la porte n'est pas hermétique 	<ul style="list-style-type: none"> Réglez les températures de consigne au besoin. Réglez les températures de consigne au besoin. Limitez la durée d'ouverture de la porte. Fermez bien la porte. Vérifiez que le joint est propre.
3) L'appareil est activé et désactivé fréquemment.	<ul style="list-style-type: none"> La température de la pièce est supérieure à la normale. Une grande quantité de boissons a été ajoutée au réfrigérateur extérieur. La porte est trop souvent ouverte. La porte n'est pas complètement fermée La commande de température n'est pas réglée correctement Le joint de la porte n'est pas hermétique 	<ul style="list-style-type: none"> Cela est normal. Limitez la quantité de boissons chaudes ajoutées en une seule fois. Limitez le nombre d'ouvertures de la porte. Fermez bien la porte. Réglez les températures de consigne au besoin. Vérifiez que le joint est propre.
4) La lumière ne s'allume pas.	<ul style="list-style-type: none"> Appareil débranché Le disjoncteur s'est déclenché ou le fusible a grillé. L'ampoule est grillée. Le bouton de l'éclairage est à la position éteinte. 	<ul style="list-style-type: none"> Branchez l'appareil. Réarmez le disjoncteur, vérifiez les fusibles. Remplacez l'ampoule; se reporter à la page Basculez l'interrupteur d'éclairage à la position d'allumage.
5) Vibrations.	<ul style="list-style-type: none"> Assurez-vous que le réfrigérateur extérieur, est de niveau. 	<ul style="list-style-type: none"> Mettez le réfrigérateur extérieur de niveau.
6) Le réfrigérateur extérieur semble trop bruyant.	<ul style="list-style-type: none"> Le cliquetis peut provenir de l'écoulement du frigorigène, ce qui est normal. À la fin de chaque cycle, vous pouvez entendre un gargouillement causé par l'écoulement du frigorigène dans votre réfrigérateur extérieur. La contraction et la dilatation des parois internes peut provoquer les claquements et craquements. Le réfrigérateur extérieur n'est pas de niveau. 	<ul style="list-style-type: none"> Cela est normal. Cela est normal. Mettez le réfrigérateur extérieur de niveau.

Silhouette
SELECT

REFRIGERADOR COMPACTOS GARANTÍA LIMITADA

Este producto de calidad está garantizado contra defectos de fabricación, incluyendo partes y mano de obra, siempre y cuando la unidad se utilice bajo las condiciones normales de funcionamiento para las que fue diseñado.

Esta garantía está solamente disponible para la persona que haya comprado originalmente esta unidad directamente de Danby o uno de sus distribuidores autorizados, y no es transferible.

CONDICIONES DE LA GARANTÍA

Las piezas plásticas, se autorizan por treinta (30) días solamente a partir de la fecha de la compra, sin las extensiones proporcionadas.

Primeros 24 Meses Durante los primeros 24 meses, cualquier parte eléctrica de este producto que resulte defectuosa, incluyendo cualquier sistema sellado, será reparado o reemplazado, a opción del fabricante, sin cargo para el comprador ORIGINAL.

Para obtener Servicio Danby se reserva el derecho de limitar la cobertura de "Servicio en Domicilio" sujeto a la proximidad de un Taller de Servicio Autorizado. Para todo artefacto que requiera servicio fuera del área limitada de "Servicio en Domicilio", el cliente será responsable por transportar dicho artefacto hasta el Taller de Servicio Autorizado más cercano. Comuníquese con el distribuidor donde haya comprado la unidad, o llame al Taller de Servicio Autorizado más cercano, donde debe ser reparada por un técnico calificado. Si esta unidad es reparada en otro lugar que no sea un Taller de Servicio Autorizado, o si la unidad se utiliza para aplicaciones comerciales, Danby no se hará responsable de ninguna forma y la garantía será anulada.

Nada dentro de esta garantía implica que Danby será responsable por cualquier daño que hayan sufrido los alimentos u otros contenidos de este aparato, ya sea debido a un defecto del aparato, o su uso, adecuado o inadecuado.

EXCLUSIONES

Salvo lo aquí indicado por Danby Products Limited (Canada) o por Danby Products Inc. (U.S.A.), no existen otras garantías, condiciones o representaciones, explícitas o implícitas, concretas o intencionales por parte de Danby Products Limited o sus distribuidores autorizados y todas las demás garantías, condiciones o representaciones, incluyendo cualquier garantía, condiciones o representaciones bajo cualquier Acta de Venta de Productos o legislación o estatuto similar, quedan de esta forma expresamente excluidas. Salvo lo aquí indicado, Danby Products Limited (Canada) o Danby Products Inc. (U.S.A) no serán responsables por ningún daño a personas o bienes, incluyendo la propia unidad, sin importar su causa, o de ningún daño indirecto causado por el desperfecto de la unidad, y al comprar esta unidad, el comprador acepta por la presente, indemnizar y proteger a Danby Products Limited contra cualquier reclamo por daños a personas o bienes causados por la unidad.

CONDICIONES GENERALES

No se considerará ninguna de estas garantías o seguros cuando el daño o la necesidad de reparación sea el producto de los siguientes casos:

- 1] Falla del suministro eléctrico.
- 2] Daños en tránsito o durante el transporte de la unidad.
- 3] Alimentación incorrecta, como bajo voltaje, instalación eléctrica defectuosa o fusibles inadecuados.
- 4] Accidente, modificación, abuso o uso incorrecto del artefacto, tal como insuficiente ventilación del ambiente o condiciones de operación anormales (temperatura ambiente extremadamente alta o baja).
- 5] Utilización comercial o industrial.
- 6] Incendio, daños por agua, robo, guerra, disturbios, hostilidades, actos de fuerza mayor como huracanes, inundaciones, etc.
- 7] Pedidos de servicio debido a desinformación del usuario.

Para acceder a la garantía se solicitará un comprobante de compra; por lo tanto, guarde su recibo. En caso de necesitar servicio de garantía, presente ese documento al TALLER DE SERVICIO AUTORIZADO.

Servicio de Garantía

En su Domicilio para modelos 3.0 p³ o mayores

Danby Products Limitée
PO Box 1778, Guelph, Ontario, Canadá N1H 6Z9
Teléfono: (519) 837-0920 Fax: (519) 837-0449

07/08

Danby Products Inc.
PO Box 669, Findlay, Ohio, U.S.A. 45840
Teléfono: (419) 425-8627 FAX: (419) 425-8629

Model • Modèle
DOAR154SSST

OUTDOOR ALL REFRIGERATOR

The model number can be found on the serial plate located on the back panel of the unit.

All repair parts available for purchase or special order when you visit your nearest service depot. To request service and/or the location of the service depot nearest you, call Danby toll free.

When requesting service or ordering parts, always provide the following information:

- **Product Type**
- **Model Number**
- **Part Description**

RÉFRIGÉRATEUR EXTÉRIEUR

Le numéro de modèle se trouve sur la plaque d'information sur la paroi arrière de l'appareil.

Toutes les pièces de rechange ou commandes spéciales sont disponibles de votre centre régional de service autorisé. Pour exiger le service et/ou le nom de votre centre de service régional, signalez le numéro sans frais de Danby.

Ayez les renseignements suivants à la portée de la main lors de la commande de pièce ou service:

- **Genre de produit**
- **Numéro de modèle**
- **Description de la pièce**



Tel: 1-800-26-**Danby**
(1-800-263-2629)