



OWNER'S MANUAL

MANUEL DU PROPRIÉTAIRE

MANUAL DEL PROPIETARIO

MODEL * MODÈLE * MODELO

DAR055D1BSSPRO



OUTDOOR ALL REFRIGERATOR Owner's Manual.....	1 - 10
RÉFRIGÉRATEUR EXTÉRIEUR Manuel du propriétaire.....	11 - 20
REFRIGERADOR AL AIRE LIBRE Manual del propietario.....	21 - 30

1-844-455-6097

Danby Products Limited, Guelph, Ontario Canada N1H 6Z9
Danby Products Inc., Findlay, Ohio USA 45840

Welcome

Welcome to the Silhouette family. We are proud of our quality products and we believe in dependable service. We suggest that you read this owner's manual before plugging in your new appliance as it contains important operation information, safety information, troubleshooting and maintenance tips to ensure the reliability and longevity of your appliance.

Visit www.SilhouetteAppliances.com to access self service tools, FAQs and much more. For additional assistance call **1-844-455-6097**.

Note the information below; you will need this information to obtain service under warranty. You must provide the original purchase receipt to validate your warranty and receive service.

Model Number: _____

Serial Number: _____

Date of Purchase: _____

Need Help?

Before you call for service, here are a few things you can do to help us serve you better.

Read this owner's manual:

It contains instructions to help you use and maintain your appliance properly.

If you receive a damaged appliance:

Immediately contact the retailer or builder that sold you the appliance.

Save time and money:

Check the troubleshooting section at the end of this manual before calling. This section will help you solve common problems that may occur.



1-844-455-6097



Important Safety Information

READ AND FOLLOW ALL SAFETY INSTRUCTIONS

SAFETY REQUIREMENTS

DANGER: Risk of fire or explosion. Flammable refrigerant used. Do not puncture refrigerant tubing.

- Do not use mechanical devices to defrost refrigerator.
- Ensure that servicing is done by factory authorized service personnel, to minimize product damage or safety issues.

WARNING: Keep ventilation openings, in the appliance enclosure or in the built-in structure, clear of obstruction.

WARNING: Do not use mechanical devices or other means to accelerate the defrosting process, other than those recommended by the manufacturer.

WARNING: Do not damage the refrigerant circuit.

WARNING: Do not use electrical appliances inside the food storage compartments of the appliance, unless they are of the type recommended by the manufacturer.

CAUTION: Risk of fire or explosion. Flammable refrigerant used.

- Consult repair manual or owner's guide before attempting to service this product. All safety precautions must be followed.
- Dispose of properly in accordance with federal or local regulations.
- Follow handling instructions carefully.

CAUTION: Children should be supervised to ensure that they do not play with the appliance.

DANGER: Risk of child entrapment. Before throwing away an old appliance:

- Remove the door or lid.
- Leave shelves in place so that children may not easily climb inside.

SAFETY REQUIREMENTS

This appliance is not intended for use by persons (including children) whose physical, sensory or mental capabilities may be different or reduced, or who lack experience or knowledge, unless such persons receive supervision or training to operate the appliance by a person responsible for their safety.

GROUNDING INSTRUCTIONS

This appliance must be grounded. Grounding reduces the risk of electrical shock by providing an escape wire for the electrical current.

This appliance has a cord that has a grounding wire with a 3-prong plug. The power cord must be plugged into an outlet that is properly grounded. If the outlet is a 2-prong wall outlet, it must be replaced with a properly grounded 3-prong wall outlet. The serial rating plate indicates the voltage and frequency the appliance is designed for.

WARNING - Improper use of the grounding plug can result in a risk of electric shock. Consult a qualified electrician or service agent if the grounding instructions are not completely understood, or if doubt exists as to whether the appliance is properly grounded.

Do not connect your appliance to extension cords or together with another appliance in the same wall outlet. Do not splice the power cord. Do not under any circumstances cut or remove the third ground prong from the power cord. Do not use extension cords or ungrounded (two prongs) adapters.

If the power supply cord is damaged, it must be replaced by the manufacturer, its service agent or similar qualified person in order to avoid hazard.

SAVE THESE INSTRUCTIONS!

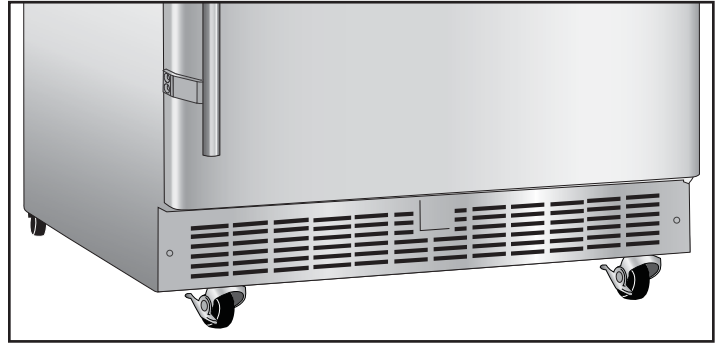
INSTALLATION INSTRUCTIONS

LOCATION

- Two people should be used when moving the appliance.
- Remove interior and exterior packaging prior to installation. Wipe the outside of the appliance with a soft, dry cloth and the inside with a lukewarm wet cloth.
- Place the appliance on a floor that is strong enough to support it when it is fully loaded.
- Before connecting the appliance to a power source, let it stand upright for approximately 6 hours. This will reduce the possibility of a malfunction in the cooling system from handling during transportation.
- This appliance is 23.8 inches (60.5 cm) wide by 34.7 inches (88 cm) high (when installed with leveling legs) by 25.9 inches (65.7 cm) deep. Make sure that you leave the minimum amount of space between the appliance and all surrounding walls and vents.
- Casters are included with this appliance. If the casters are install, the height increases to 36.4 inches (92.5 cm).
- **WARNING:** To avoid hazard due to instability of the appliance, it must be fixed in accordance with the instructions.
- Keep flammable material and vapors such as gasoline away from the appliance. Only use nonflammable cleaner.
- This appliance is intended to be used in household or camping and similar situations such as:
 - Staff kitchen areas in shops, offices and other working environments;
 - Farm houses and by clients in hotels, motels and other residential type environments;
 - Bed and breakfast type environments;
 - Catering and similar non-retail applications;
 - This appliance should not be exposed to rain.
- Do not overload the appliance.

FRONT VENT

This appliance is front breathing. Do not block the front air vent as this will result in high operating temperatures, higher energy usage and possible system overheating and failure.



LEVELING INSTRUCTIONS

There is one adjustable foot on the bottom of the appliance that can be turned up or down to ensure that the appliance is level.

1. Turn the leveling foot counter-clockwise as far as it will go, until the top of the foot is touching the bottom of the cabinet.
2. Slowly turn the leveling foot clockwise until the appliance is level.

AMBIENT TEMPERATURE LIMITS FOR OUTDOOR USE

Do not install this appliance in a location where temperature will fall below 41°F (5°C) or rise above 109°F (43°C).

Operating the appliance in an ambient temperature which is too cold can cause the compressor to turn off for too long, causing the internal temperature in the appliance to rise, possibly resulting in loss of contents.

For best performance, do not install the appliance behind a cabinet door or block the front vent.

INSTALLATION INSTRUCTIONS

PREPARING THE ENCLOSURE

Gloves and safety goggles should be worn during installation.

It is not recommended to install the appliance into a corner or directly beside a wall. The door will need to be opened more than 90° to allow full extension of the shelves. If it is necessary to place the unit next to a wall or in a corner, leave at least 2-4 inches (5-10 cm) of space between the wall and the appliance to allow for the door opening.

The cabinet opening must be at least 24 inches (61 cm) wide by 25 inches (63.5 cm) deep.

If the appliance will be built in with the leveling foot, the height of the opening must be at least 35 inches (88.9 cm).

If the appliance will be built in with the casters installed, the height of the opening must be at least 37 inches (94 cm).

Note: The listed depth requirement is assuming that the electrical outlet is located in the adjacent cabinetry or flush mounted in the rear wall, not surface mounted inside the enclosure.

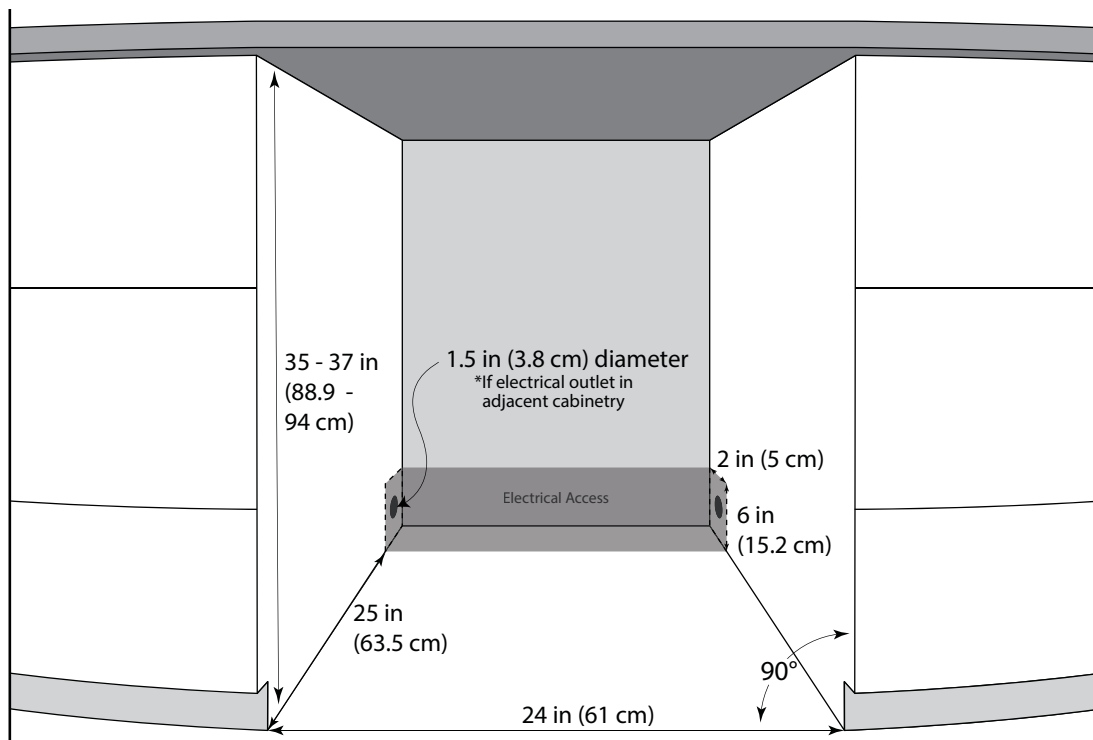
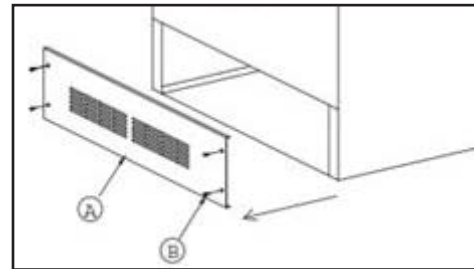
If the electrical outlet is located inside adjacent cabinetry, cut a 1.5 inch (3.8 cm) diameter hole to admit the power cord. If the cabinet wall is metal, the hole edge must be covered with a bushing or grommet.

REQUIRED TOOLS

- Safety goggles
- Gloves
- Tape measure
- Carpenter square
- Level
- Flashlight
- Electric drill with hole bit

COMPRESSOR HOUSING COVER REMOVAL

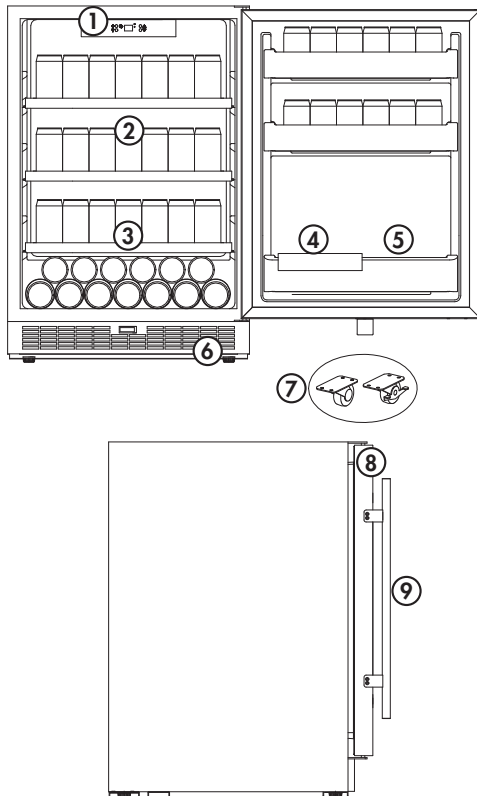
If the appliance will be built into an enclosure, the compressor housing cover must first be removed. This is to allow air flow around the compressor so that it does not over heat. Keep the cover and screws in a safe place so that they can be used again in future if necessary.



OPERATING INSTRUCTIONS

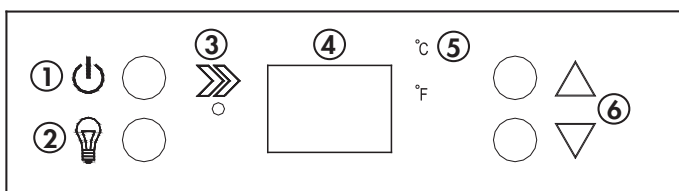
FEATURES

1. Electronic Display and Controls
2. Full Glass Shelves with Stainless Steel Trim
3. Half Size Glass Shelf with Stainless Steel Trim
4. Shelf Braces
5. Tall Bottle Storage
6. Leveling Foot
7. Casters
8. Foam Insulated Stainless Steel Wrapped Door
9. Stainless Steel Towel Bar Handle



TEMPERATURE CONTROL

1. **Power Button:** Press and hold this button for 3 seconds to turn the appliance on or off.
2. **Light Button**
3. **Power Light:** Indicator light illuminates to signify that cooling mode is currently in operation.
4. **Temperature Display:** Shows the current internal temperature.
5. **°C / °F:** Indicator light signifies which temperature scale is currently being displayed.
6. **Up and Down Buttons:** Used to increase or decrease the set temperature in 1° increments.



FUNCTION INSTRUCTION

The default temperature setting is 43°F (6°C). The default temperature scale is °F.

To switch the display between °F and °C, press the upper and lower temperature buttons simultaneously for approximately 3-5 seconds.

The temperature can be set as low as 36°F (2°C) or as high as 50°F (10°C).

Actual temperature inside the appliance can vary based on ambient temperature, how often the door is opened and how many warm bottles have recently been added to the appliance.

Each depression of the Up and Down buttons will adjust the temperature in 1° increments.

Door Ajar Alarm: If the door is not closed completely for 5 minutes, an alarm will sound. Close the door to silence the alarm.

If the door is closed and the alarm continues to sound, check that the actuator at the bottom of the door is making contact with the switch on the appliance.

Temperature Memory: If the appliance loses power, the control panel will remember the set temperature. Once power is restored, the appliance will return to normal functioning automatically.

Temperature Alarm: If the inner cabinet temperature is higher than 73°F (23°C) for one hour, the error code "HI" will show on the display panel and an alarm will sound.

If the inner cabinet temperature is lower than 28°F (-2°C) the error code "LO" will show on the display panel and an alarm will sound.

If the inner cabinet temperature remains at 28°F (-2°C) for more than 30 minutes, the error code "CL" will show on the display panel and an alarm will sound. The appliance will stop functioning to prevent the contents from freezing.

Interior Light: The interior light will default to turning on and off when the door is opened or closed.

Press the light button once to turn the light off while the door is open. The light will resume default functioning when the door is closed.

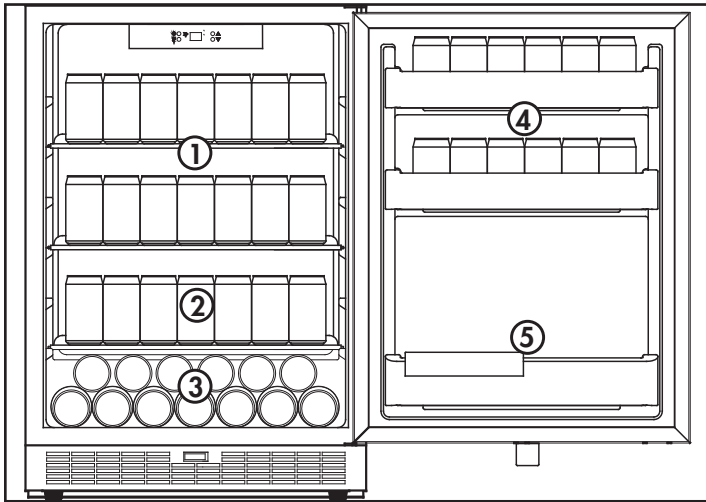
OPERATING INSTRUCTIONS

STORAGE INSTRUCTIONS

This appliance can hold a maximum of 123 beverage cans in 355 ml size.

1. The two top shelves can each hold 35 cans.
2. The half shelf can hold 28 cans.
3. The bottom can hold 13 cans.
4. Each door shelf can hold 6 cans.
5. The tall bottle storage shelf can hold 2 beverage bottles in 2 liter size.

Note: It may be necessary to remove the braces from the 2 liter bottle storage shelf.

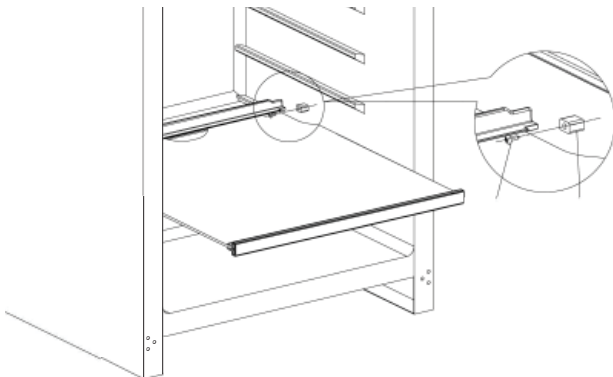


SHELF INSTRUCTIONS

To remove a shelf from its locked position, remove the shelf stoppers located on either side of the shelf.

To replace a shelf, ensure the shelf is resting securely on the support brackets and push inward until it locks into place.

Note: Do not cover shelves with aluminum foil or any other material that will prevent air circulation within the appliance as this can adversely affect the internal temperature.

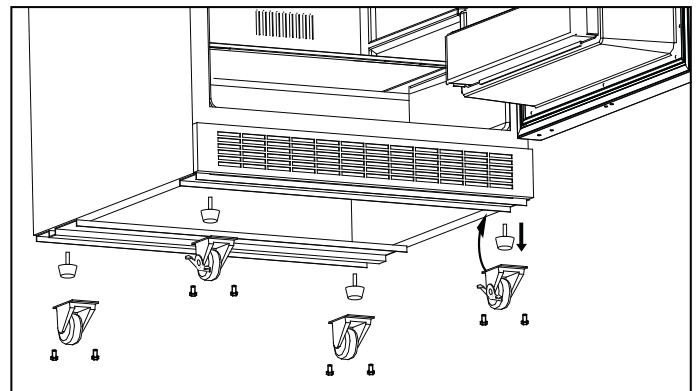


CASTER INSTALLATION

To reduce the risk of personal injury or property damage, unplug the appliance and use two people to complete the caster installation.

1. Place the appliance on its back. Protect the floor and the back of the appliance from damage by laying the appliance on a towel or blanket.
2. Remove the three solid feet. Unscrew the leveling foot. Keep the solid feet and the leveling foot in a safe place for future use.
3. Install the non-locking casters on the back of the appliance.
4. Install the locking casters on the front of the appliance.

Note: Once caster installation is complete, the appliance must be allowed to stand upright for 6 hours before plugging in to avoid damage to internal components.



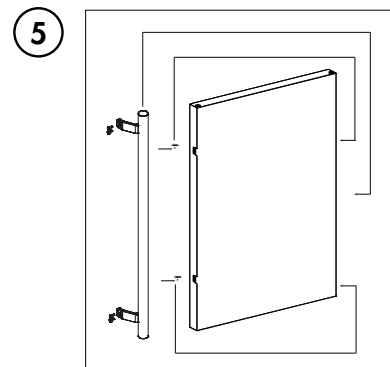
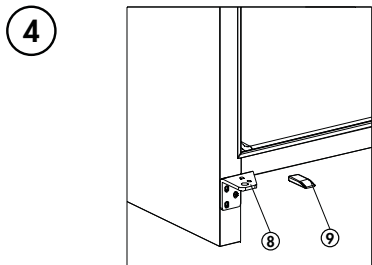
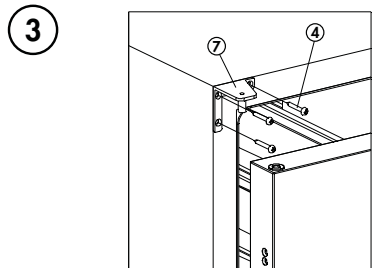
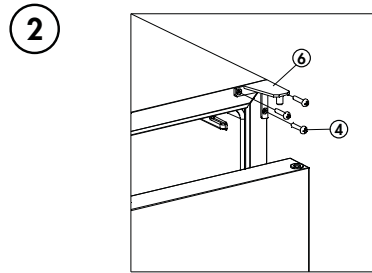
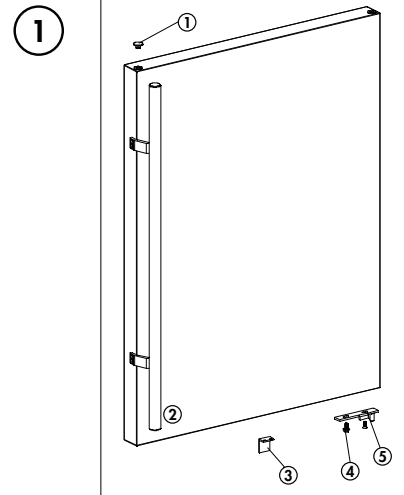
OPERATING INSTRUCTIONS

DOOR REVERSAL INSTRUCTIONS

If the appliance is placed on its back or side for any length of time during this process, it must be allowed to remain upright for 6 hours before plugging it in to avoid damage to the internal components.

1. Open the door to a 90° angle and remove the two screws from the door axis. Slide the bottom of the door outward to remove it from the chassis. Remove the hinge hole cover from the top left side of the door and install on the right side.
2. Remove the upper right hinge.
3. Remove the screw hole covers from the top left of the chassis and install the upper right hinge. Put the screw hole covers in the screw holes on the right side of the chassis.
4. The lower left hinge is pre-installed on the chassis. Remove the door support from the lower left hinge and install on the lower right hinge.
5. Install the door on the upper left hinge and attach the door to the lower left hinge using the door axis. Before tightening the screws ensure that the top of the door is level with the top of the chassis, that the actuator is making contact with the light switch at the bottom of the chassis and that the rubber gasket is making a good seal with the cabinet all the way around.
6. Move the door handle from the left side of the door to the right side.

- | |
|----------------------|
| 1. Hinge Hole Cover |
| 2. Door Handle |
| 3. Actuator |
| 4. Screws |
| 5. Door Axis |
| 6. Upper Right Hinge |
| 7. Upper Left Hinge |
| 8. Lower Left Hinge |
| 9. Door Support |



CARE & MAINTENANCE

CLEANING

Ensure the appliance is unplugged before cleaning.

- To clean the inside of the appliance, use a soft cloth and a solution of a tablespoon of baking soda to one quart of water or a mild soap solution or some mild detergent.
- Wash removable shelves in a mild detergent solution, then dry and wipe with a soft cloth.
- Clean the outside with a soft, damp cloth and some mild detergent.
- It is important to keep the area clean where the door seals against the cabinet. Clean this area with a soapy cloth. Rinse with a damp cloth and let dry.

Note: Do not use cleaners containing ammonia or alcohol on the appliance. Ammonia or alcohol can damage the appearance of the appliance. Never use any commercial or abrasive cleaners or sharp objects on any part of the appliance.

POWER FAILURE

Most power failures are corrected within a few hours and should not affect the temperature of your appliance if you minimize the number of times the door is opened. If the power is going to be off for a longer period of time, take the proper steps to protect your contents.

Note: Wait 3 to 5 minutes before attempting to restart the appliance if operation has been interrupted.

ERROR CODES

If the "HI", "LO" or "CL" error codes appear on the display for more than 5 minutes, a power reset may rectify the issue. Unplug the appliance, wait 5 minutes and then plug the unit back in. If the error code persists after a power reset, contact consumer care or an authorized service agent.

DEFROST

This unit is equipped with an automatic defrost function and does not require manual defrosting. Defrost water from the appliance is channeled into a drip tray located above the compressor. Heat transfer from the compressor causes the defrost water to evaporate.

VACATION

- **Short vacations:** Leave the appliance operating during vacations of less than three weeks.
- **Long vacations:** If the appliance will not be used for several months, remove all items and turn off the appliance. Clean and dry the interior thoroughly. To prevent odor and mold growth, leave the door open slightly, blocking it open if necessary.

MOVING

- Remove all contents.
- Turn the leveling foot up to avoid damage.
- Tape the door shut.
- Be sure the appliance stays in the upright position during transportation. Protect the outside of the appliance with a blanket.
- If the appliance is placed on its back or side during transportation, upon reaching the destination, allow it to remain upright for 6 hours before plugging in to avoid damage to the internal components.

DISPOSAL

This appliance may not be treated as regular household waste, it should be taken to the appropriate waste collection point for recycling of electrical components. For information on local waste collection points, contact your local waste removal agency or government office.

TROUBLESHOOTING

Silhouette Consumer Care: 1-844-455-6097

Hours of operation:

Monday to Thursday 8:30 am - 6:00 pm Eastern Standard Time

Friday 8:30 am - 4:00 pm Eastern Standard Time

Information in this manual is subject to change without notice.

PROBLEM	POSSIBLE CAUSE
No power	<ul style="list-style-type: none">• A fuse may be blown or the circuit breaker tripped• Plug not fully inserted into the wall outlet
Internal temperature not cold enough Appliance runs continuously Alarm sounding and "HI" on the display panel	<ul style="list-style-type: none">• Door is not shut properly or opened excessively• Exhaust vent is obstructed• Recently added a large quantity of warm bottles to the cabinet• Close proximity to heat source or direct sunlight• Ambient temperature or humidity is very high• Possible system leak, evaporator fan failure or compressor failure
Condensation on the cabinet or door	<ul style="list-style-type: none">• Door is not shut properly or opened excessively• Ambient temperature or humidity is very high
Alarm sounding and "LO" or "CL" on the display panel	<ul style="list-style-type: none">• Ambient temperature is excessively low• Sensor failure• Evaporator temperature is too low

Silhouette

LIMITED "IN HOME" WARRANTY

This quality product is warranted to be free from manufacturer's defects in material and workmanship, provided that the unit is used under the normal operating conditions intended by the manufacturer.

This warranty is available only to the person to whom the unit was originally sold by Danby Products Limited (Canada) or Danby Products Inc. (U.S.A.) (hereafter "Danby") or by an authorized distributor of Danby, and is non-transferable.

TERMS OF WARRANTY

Plastic parts are warranted for thirty (30) days from the date of purchase, with no extensions provided.

First 24 months During the first **twenty four (24) months**, any functional parts of this product found to be defective, will be repaired or replaced, at warrantor's option, at no charge to the original purchaser.

To obtain service Contact the dealer where the unit was purchased, or contact the nearest authorized Danby service depot, where service must be performed by a qualified service technician. If service is performed on the unit by anyone other than an authorized service depot, all obligations of Danby under this warranty shall be void.

Boundaries of in-home service Danby reserves the right to limit the boundaries of "In Home Service" to the proximity of an authorized service depot. Any appliance requiring service outside the limited boundaries of "In Home Service", will be the consumer's responsibility to transport at their own expense to the original point of purchase or a service depot for repair. If the appliance is installed in a location that is **100 kilometers (62 miles)** or more from the nearest service center, it must be delivered to the nearest authorized Danby Service Depot by the purchaser.

Transportation charges to and from the service location are not protected by this warranty and are the responsibility of the purchaser.

Nothing within this warranty shall imply that Danby will be responsible or liable for any spoilage or damage to food or other contents of this appliance, whether due to any defect of the appliance, or its use, whether proper or improper.

EXCLUSIONS

Save as herein provided, by Danby, there are no other warranties, conditions, representations or guarantees, express or implied, made or intended by Danby or its authorized distributors and all other warranties, conditions, representations or guarantees, including any warranties, conditions, representations or guarantees under any Sale of Goods Act or like legislation or statute is hereby expressly excluded. Save as herein provided, **Danby shall not be responsible for any damages to persons or property, including the unit itself, howsoever caused or any consequential damages arising from the malfunction of the unit and by the purchase of the unit, the purchaser does hereby agree to indemnify and hold harmless Danby from any claim for damages to persons or property caused by the unit.**

GENERAL PROVISIONS

No warranty or insurance herein contained or set out shall apply when damage or repair is caused by any of the following:

- 1) Power failure.
- 2) Damage in transit or when moving the appliance.
- 3) Improper power supply such as low voltage, defective house wiring or inadequate fuses.
- 4) Accident, alteration, abuse or misuse of the appliance such as inadequate air circulation in the room or abnormal operating conditions (ie. extremely high or low room temperature).
- 5) Use for commercial or industrial purposes (ie. If the appliance is not installed in a domestic residence).
- 6) Fire, water damage, theft, war, riot, hostility, acts of God such as hurricanes, floods etc.
- 7) Service calls resulting in customer education.
- 8) Improper Installation (ie. Building-in of a free standing appliance or using an appliance outdoors that is not approved for outdoor application, including but not limited to: garages, patios, porches or anywhere that is not properly insulated or climate controlled).

Proof of purchase date will be required for warranty claims; retain bills of sale. In the event that warranty service is required, present the proof of purchase to our authorized service depot.

**Warranty Service
In Home**

Danby Products Limited
PO Box 1778, Guelph, Ontario, Canada N1H 6Z9
Telephone: (519) 837-0920 FAX: (519) 837-0449

**1-844-455-6097
04/17**

Danby Products Inc.
PO Box 669, Findlay, Ohio, U.S.A. 45840
Telephone: (419) 425-8627 FAX: (419) 425-8629

Bienvenue

Bienvenue à la famille Silhouette. Nous sommes fiers de la qualité de nos produits et nous croyons en le service fiable. Nous vous suggérons de lire ce manuel d'utilisation avant de brancher votre nouvel appareil car il contient des informations importantes sur l'utilisation, la sécurité, le dépannage et la maintenance, afin d'assurer la fiabilité et la longévité de votre appareil.

Visitez www.SilhouetteAppliances.com pour accéder aux outils d'autoservice, aux FAQ et bien plus encore. Pour obtenir de l'aide supplémentaire, composez **1-844-455-6097**.

Notez les informations ci-dessous; Vous aurez besoin de cette information pour obtenir un service sous garantie.
Vous devez fournir le reçu d'achat original pour valider votre garantie et recevoir le service.

Numéro de modèle: _____

Numéro de serie: _____

Date d'achat: _____

Besoin d'assistance?

Avant d'appeler pour service, voici quelques choses que vous pouvez faire pour nous aider à mieux vous servir.

Lire ce manuel du propriétaire:

Il contient des instructions pour vous aider à utiliser et à maintenir votre appareil correctement.

Si vous recevez un appareil endommagé:

Contactez immédiatement le revendeur ou l'entrepreneur qui vous a vendu l'appareil.

Gagnez du temps et de l'argent:

Avant d'appeler pour service, consultez la section de dépannage à la fin de ce manuel. Cette section vous aidera à résoudre les problèmes courants pouvant survenir.



1-844-455-6097



Consignes de sécurité importantes

LIRE ET SUIVRE TOUTES LES INSTRUCTIONS DE SÉCURITÉ

EXIGENCES DE SÉCURITÉ

DANGER: Risque d'incendie ou d'explosion. Liquide frigorigène inflammable utilisé. Ne pas creuser les tubes de réfrigérant.

- N'utilisez pas de dispositifs mécaniques pour dégivrer le réfrigérateur.
- Assurez-vous que l'entretien est effectué par le personnel de service autorisé en usine, afin de minimiser les dommages sur les produits ou les questions de sécurité.

AVERTISSEMENT: Garder les ouvertures de ventilation, dans l'enceinte de l'appareil ou dans la structure intégrée, sans obstruction.

AVERTISSEMENT: N'utilisez pas de dispositifs mécaniques ou d'autres moyens pour accélérer le processus de dégivrage, autres que ceux recommandés par le fabricant.

AVERTISSEMENT: Ne pas endommager le circuit de réfrigérant.

AVERTISSEMENT: N'utilisez pas d'appareils électriques à l'intérieur des compartiments de stockage d'aliments de l'appareil, à moins qu'ils ne soient du type recommandé par le fabricant.

ATTENTION: Risque d'incendie ou d'explosion. Liquide frigorigène inflammable utilisé.

- Consultez le manuel de réparation ou le guide du propriétaire avant d'essayer de réparer ce produit. Toutes les précautions de sécurité doivent être respectées.
- Éliminer correctement conformément aux règlements fédéraux ou locaux.
- Suivez attentivement les instructions de manutention.

ATTENTION: Les enfants devraient être surveillés pour s'assurer qu'ils ne jouent pas avec l'appareil.

DANGER: Risque de piégeage des enfants. Avant de jeter un ancien appareil:

- Retirez la porte ou le couvercle.
- Laissez les étagères en place afin que les enfants ne puissent pas facilement monter à l'intérieur.

EXIGENCES DE SÉCURITÉ

Cet appareil n'est pas destiné à être utilisé par des personnes (y compris des enfants) dont les capacités physiques, sensorielles ou mentales peuvent être différentes ou réduites, ou qui n'ont pas d'expérience ou de connaissances, à moins que ces personnes ne reçoivent de supervision ou de formation pour faire fonctionner l'appareil par une personne responsable de leur sécurité.

INSTRUCTIONS DE MISE À LA TERRE

Cet appareil doit être mis à la terre. La mise à la terre réduit le risque de choc électrique en fournissant un fil d'échappement pour le courant électrique.

Cet appareil possède un cordon doté d'un fil de mise à la terre avec une fiche à 3 broches. Le cordon d'alimentation doit être branché sur une prise correctement mise à la terre. Si la sortie est une prise murale à 2 broches, elle doit être remplacée par une prise murale à 3 broches correctement mise à la terre. La plaque signalétique en série indique la tension et la fréquence auxquelles l'appareil est conçu.

AVERTISSEMENT - Une utilisation incorrecte de la fiche de mise à la terre peut entraîner un risque d'électrocution. Consultez un électricien qualifié ou un agent de service si les instructions de mise à la terre ne sont pas complètement comprises ou s'il existe un doute quant à savoir si l'appareil est correctement mis à la terre.

Ne branchez pas votre appareil à des rallonges ou avec un autre appareil dans la même prise murale. Ne pas épisser le cordon d'alimentation. Ne coupez ou retirez en aucun cas la troisième broche du cordon d'alimentation. N'utilisez pas de cordons de prolongement ou d'adaptateurs sans mise à la terre (deux broches).

Si le cordon d'alimentation est endommagé, il doit être remplacé par le fabricant, son agent de service ou une personne qualifiée similaire afin d'éviter tout risque.

GARDEZ CES INSTRUCTIONS!

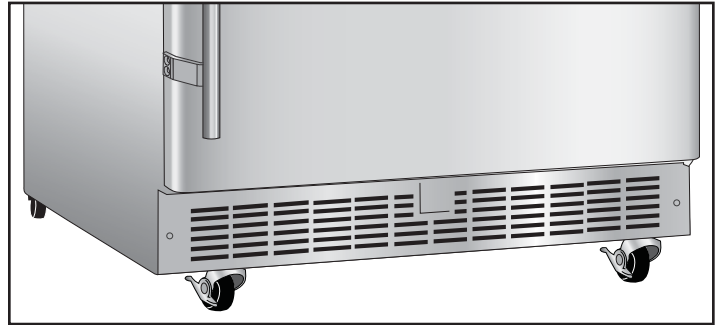
INSTRUCTIONS D'INSTALLATION

EMPLACEMENT

- Deux personnes devraient être utilisées lors du déplacement de l'appareil.
- Retirer les emballages intérieurs et extérieurs avant l'installation. Essuyez l'extérieur de l'appareil avec un chiffon doux et sec et à l'intérieur avec un chiffon humide tiède.
- Placez l'appareil sur un sol assez solide pour le supporter lorsqu'il est complètement chargé.
- Avant de connecter l'appareil à une source d'alimentation, laissez-le reposer pendant environ 6 heures. Cela réduira la possibilité d'un dysfonctionnement du système de refroidissement lors de la manipulation.
- Cet appareil a une largeur de 23,8 pouces (60,5 cm) par 34,7 pouces (88 cm) de haut (lorsqu'il est installé avec des pattes de nivellement) de 25,9 pouces (65,7 cm) de profondeur. Assurez-vous que vous laissez l'espace minimum entre l'appareil et tous les murs environnants et les événements.
- Les roulettes sont fournies avec cet appareil. Si les roulettes sont installées, la hauteur augmente à 92,4 cm (36,4 pouces).
- **AVERTISSEMENT:** Pour éviter tout risque dû à l'instabilité de l'appareil, il doit être fixé conformément aux instructions.
- Conservez les matières inflammables et les vapeurs telles que l'essence à l'écart de l'appareil. Utilisez uniquement un nettoyant non inflammable.
- Cet appareil est destiné à être utilisé dans le ménage ou le camping et des situations similaires telles que:
 - Bâtiments de cuisine dans les magasins, bureaux et autres environnements de travail;
 - Les maisons agricoles et les clients dans les hôtels, motels et autres environnements de type résidentiel;
 - Environnements de type bed and breakfast;
 - Services de restauration et autres produits similaires;
 - Cet appareil ne doit pas être exposé à la pluie.
- Ne pas surcharger l'appareil.

ÉVACUATION AVANT

Cet appareil est une respiration avant. Ne bloquez pas l'évent avant car cela entraînera des températures de fonctionnement élevées, une consommation d'énergie plus élevée et une éventuelle surchauffe et une panne du système.



INSTRUCTIONS DE NIVEAU

Il y a un pied réglable au bas de l'appareil qui peut être monté ou bas pour s'assurer que l'appareil est à niveau.

1. Tournez le pied de nivellement dans le sens inverse des aiguilles d'une montre aussi loin que possible, jusqu'à ce que le haut du pied touche le bas de l'armoire.
2. Tournez lentement le pied de nivellement dans le sens des aiguilles d'une montre jusqu'à ce que l'appareil soit au niveau.

LIMITES DE TEMPÉRATURE AMBIANT POUR UTILISATION EXTÉRIEURE

Ne pas installer cet appareil dans un endroit où la température tombera au-dessous de 41°F (5°C) ou s'élèvera au-dessus de 43°C (109°F).

L'utilisation de l'appareil à une température ambiante trop froide peut provoquer l'extinction du compresseur pendant trop longtemps, entraînant une élévation de la température interne de l'appareil, entraînant ainsi une perte de contenu.

Pour une meilleure performance, ne pas installer l'appareil derrière une porte d'armoire ou bloquer l'évent avant.

INSTRUCTIONS D'INSTALLATION

PRÉPARER L'ENCEINTE

En faire les installations décrites dans cette section, des gants, les lunettes de sécurité devraient être portés.

Il n'est pas recommandé d'installer l'appareil dans un coin ou directement à côté d'un mur. La porte devra être ouverte plus de 90° pour permettre une extension complète des étagères. S'il est nécessaire de placer l'unité à côté d'un mur ou dans un coin, laisser au moins 2-4 pouces (5-10 cm) d'espace entre le mur et l'appareil pour permettre l'ouverture de la porte.

L'ouverture de l'armoire doit avoir au moins 24 pouces (61 cm) de large sur 25 pouces (63,5 cm) de profondeur.

Si l'appareil est construit avec le pied de nivellement, la hauteur de l'ouverture doit être d'au moins 35 pouces (88,9 cm).

Si l'appareil est installé avec les roulettes installées, la hauteur de l'ouverture doit être d'au moins 37 pouces (94 cm).

Remarque: L'exigence de profondeur indiquée suppose que la prise électrique est située dans les armoires adjacentes ou encastrées dans la paroi arrière, non montées en surface à l'intérieur de l'enceinte.

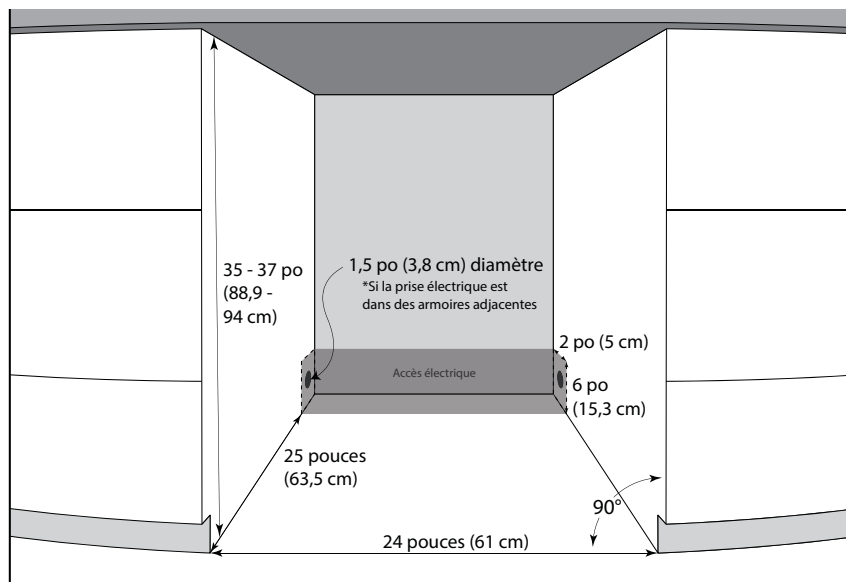
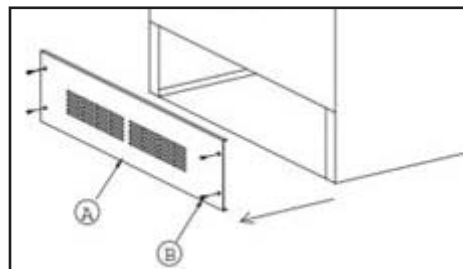
Si la prise électrique est située à l'intérieur des armoires adjacentes, couper un trou de 1,5 pouce (3,8 cm) de diamètre pour admirer le cordon d'alimentation. Si le mur de l'armoire est en métal, le bord du trou doit être recouvert d'une douille ou d'un passe-fil.

OUTILS REQUIS

- Lunette de sécurité
- Gants
- Ruban à mesurer
- Equerre de charpentier
- Niveau
- Lampe de poche
- Perceuse et jeu de scie cylindrique

ENLEVER LA COUVERTURE DE LOGEMENT COMPRESSEUR

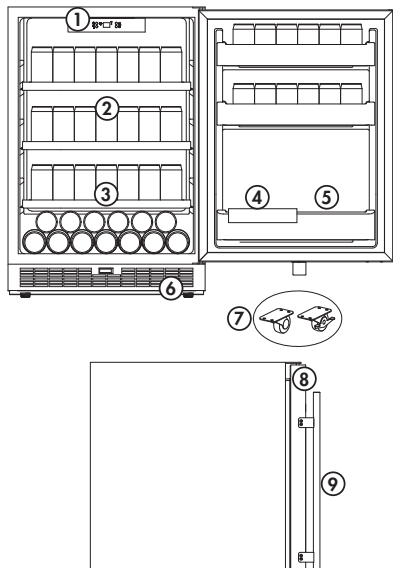
Si l'appareil est intégré dans une enceinte, il faut d'abord retirer le couvercle du boîtier du compresseur. C'est pour permettre l'écoulement de l'air autour du compresseur de sorte qu'il ne chauffe pas trop. Gardez le couvercle et les vis dans un endroit sûr afin qu'ils puissent être utilisés à nouveau à l'avenir si nécessaire.



CONSIGNES D'UTILISATION

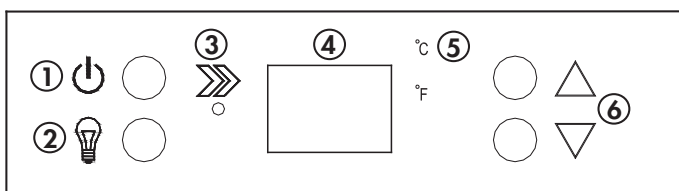
CARACTÉRISTIQUES

1. Affichage et contrôles électronique
2. Taille pleine étagères en verre avec garniture en acier inoxydable
3. Taille moyenne étagères en verre avec garniture en acier inoxydable
4. Déflecteur
5. Compartiment pour bouteilles hautes
6. Pied de nivellement
7. Roulettes
8. Porte en acier inoxydable entièrement garnie de mousse
9. Poignée de porte en acier inoxydable barreserviettes



CONTRÔLE DE LA TEMPÉRATURE

1. **Bouton d'alimentation:** Maintenez ce bouton enfoncé pendant 3 secondes pour allumer ou éteindre l'appareil.
2. **Bouton lumière**
3. **Lumière de puissance:** Le voyant s'allume pour indiquer que le mode de refroidissement est actuellement en fonctionnement.
4. **Affichage de la température:** Indique la température interne actuelle.
5. °C / °F: La lumière indicatrice indique quelle échelle de température est actuellement affichée.
6. **Boutons haut et bas:** Utilisé pour augmenter ou diminuer la température réglée par incréments de 1°.



INSTRUCTION DE FONCTION

La température par défaut est de 43°F (6°C). L'échelle de température par défaut est °F.

Pour changer l'affichage entre °F et °C, appuyez simultanément sur les boutons de température supérieure et inférieure pendant environ 3-5 secondes.

La température peut être réglée aussi bas que 36°F (2°C) ou jusqu'à 50°F (10°C).

La température réelle à l'intérieur de l'appareil peut varier en fonction de la température ambiante, à quelle fréquence la porte est ouverte et combien de bouteilles chaudes ont récemment été ajoutées à l'appareil.

Chaque dépression des boutons Haut et Bas règle la température par incréments de 1°.

Alarme de porte ouverte: Si la porte est ouverte pendant 5 minutes, une alarme retentit. Fermez la porte pour arrêter l'alarme.

Si la porte est fermée et que l'alarme continue de sonner, vérifiez que l'actionneur au bas de la porte est en contact avec l'interrupteur de l'appareil.

Mémoire de température: Si l'appareil perd l'alimentation, le panneau de commande se souviendra de la température réglée. Une fois que l'alimentation est rétablie, l'appareil revient au fonctionnement normal automatiquement.

Alarme de température: Si la température de l'armoire intérieure est supérieure à 73°F (23°C) pendant une heure, le code d'erreur "HI" s'affiche sur l'écran et une sonnerie retentit.

Si la température de l'armoire intérieure est inférieure à 28°F (-2°C) le code d'erreur "LO" s'affiche sur le panneau d'affichage et une alarme retentit.

Si la température de l'armoire intérieure reste à 28°F (-2°C) pendant plus de 30 minutes, le code d'erreur "CL" s'affiche sur le panneau d'affichage et une alarme retentit. L'appareil cesse de fonctionner pour empêcher le contenu de se figer.

Lumière intérieure: la lumière intérieure s'allume et s'éteint lorsque la porte est ouverte ou fermée.

Appuyez une fois sur le bouton lumineux pour éteindre l'éclairage lorsque la porte est ouverte. La lumière reprendra le fonctionnement par défaut lorsque la porte est fermée.

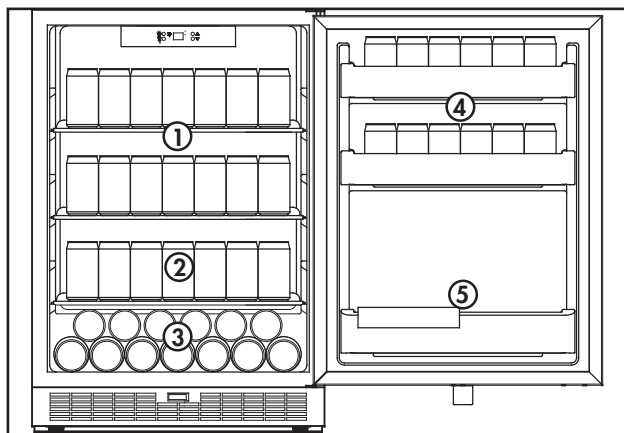
CONSIGNES D'UTILISATION

INSTRUCTIONS DE STOCKAGE

Cet appareil peut contenir au maximum 123 canettes de boissons de 355 ml de taille.

1. Les deux étagères supérieures peuvent contenir chacune 35 canettes.
2. La demi-étagère peut contenir 28 boîtes.
3. Le fond peut contenir 13 canettes.
4. Chaque étagère de porte peut contenir 6 canettes.
5. La grande étagère de stockage de bouteilles peut contenir 2 bouteilles de boissons de 2 litres de taille.

Remarque: Il peut être nécessaire d'enlever les entretoises de l'étagère de stockage de bouteilles de 2 litres.

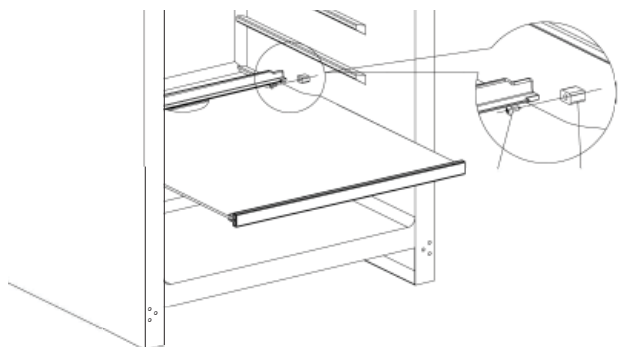


INSTRUCTIONS POUR LES ÉTAGÈRES

Pour retirer une étagère de sa position verrouillée, retirez les bouchons d'étagère situés de chaque côté de l'étagère.

Pour remplacer une étagère, assurez-vous que l'étagère repose solidement sur les supports et poussez vers l'intérieur jusqu'à ce qu'elle s'enclenche.

Remarque: Ne pas couvrir les étagères avec du papier d'aluminium ou tout autre matériau qui empêchera la circulation d'air dans l'appareil, car cela peut affecter négativement la température interne.

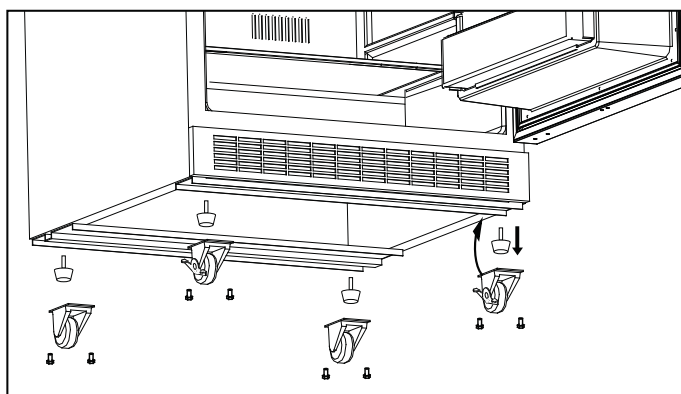


INSTALLATION DES ROULETTES

Pour réduire le risque de blessures corporelles ou de dommages matériels, débranchez l'appareil et utilisez deux personnes pour compléter l'installation du lanceur.

1. Placez l'appareil sur son dos. Protégez le sol et l'arrière de l'appareil contre tout endommagement en posant l'appareil sur une serviette ou une couverture.
2. Retirez les trois pieds solides. Dévissez le pied de nivellement. Gardez les pieds solides et le pied de nivellement dans un endroit sûr pour une utilisation future.
3. Installez les roulettes non verrouillables à l'arrière de l'appareil.
4. Installez les roulettes de blocage à l'avant de l'appareil.

Remarque: Une fois l'installation de la roulette terminée, l'appareil doit pouvoir rester debout pendant 6 heures avant de brancher pour éviter d'endommager les composants internes.



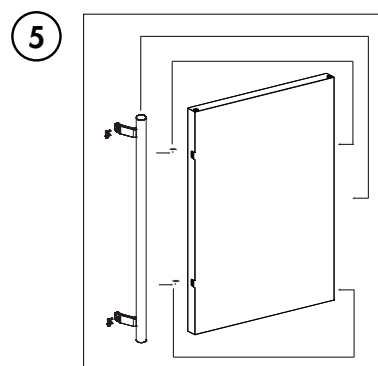
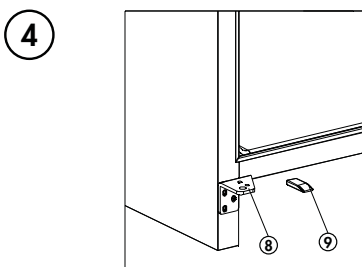
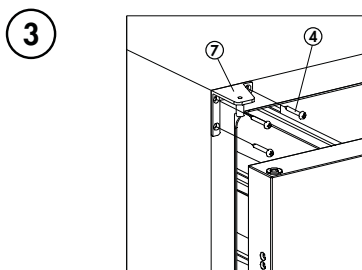
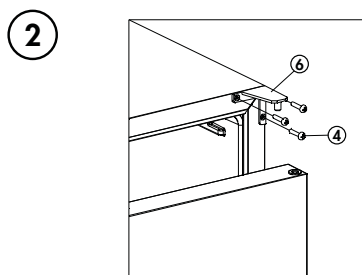
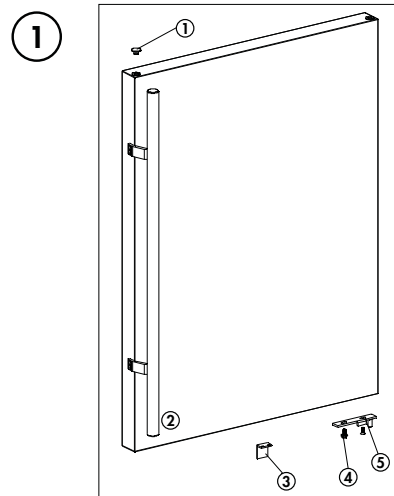
CONSIGNES D'UTILISATION

INSTRUCTIONS D'INVERSION DE PORTE

Si l'appareil est placé à l'arrière ou au côté pendant un certain temps pendant ce processus, il doit pouvoir rester debout pendant 6 heures avant de le brancher pour éviter d'endommager les composants internes.

1. Ouvrez la porte à un angle de 90° et retirez les deux vis de l'axe de la porte. Faites glisser le bas de la porte vers l'extérieur pour l'enlever du châssis. Retirez le couvercle du trou de charnière du côté supérieur gauche de la porte et installez-le sur le côté droit.
2. Retirez la charnière supérieure droite.
3. Retirez les couvercles des trous de vis du haut à gauche du châssis et installez la charnière supérieure droite. Placez les couvercles des trous de vis dans les trous de vis sur le côté droit du châssis.
4. La charnière inférieure gauche est préinstallée sur le châssis. Retirez le support de la porte de la charnière inférieure gauche et installez la charnière inférieure droite.
5. Installez la porte sur la charnière supérieure gauche et fixez la porte à la charnière inférieure gauche à l'aide de l'axe de la porte. Avant de serrer les vis, assurez-vous que le haut de la porte est au niveau du haut du châssis, que l'actionneur entre en contact avec l'interrupteur d'éclairage au bas du châssis et que le joint en caoutchouc obtient un bon joint avec l'armoire tout autour.
6. Déplacez la poignée de porte du côté gauche de la porte vers le côté droit.

- | |
|---|
| <ol style="list-style-type: none">1. Couvercle de charnière2. Poignée de porte3. Actuateur4. Des vis5. Axe de la porte6. Charnière supérieure droite7. Charnière supérieure gauche8. Charnière inférieure gauche9. Support de porte |
|---|



NETTOYAGE

Assurez-vous que l'appareil est débranché avant de nettoyer une partie de l'appareil.

- Pour nettoyer l'intérieur de l'appareil, utilisez un chiffon doux et une solution d'une cuillère à soupe de bicarbonate de soude à un quart d'eau ou une solution de savon doux ou un détergent doux.
- Lavez les tablettes amovibles dans une solution détergente douce, puis séchez et essuyez avec un chiffon doux.
- Nettoyez l'extérieur avec un chiffon doux et humide et un peu de détergent doux.
- Il est important de garder la région de scellement de la porte sur l'armoire propre. Nettoyez avec un tissu savonneux, rincez la région et puis séchez.

Remarque: N'utilisez pas de produits nettoyants comprenant de l'ammoniaque ou de l'alcool sur l'appareil. L'ammoniaque ou l'alcool peuvent altérer le fini de l'appareil. N'utilisez jamais de nettoyant industriels sur aucune partie de votre appareil.

PANNE DE COURANT

La plupart des pannes de courant ne durent que quelques heures et ne devraient pas modifier la température de votre l'appareil si vous réduisez au maximum le nombre de fois où la porte est ouverte. Si le courant reste coupé pendant une longue période, il faut prendre des mesures de protection du contenu de l'appareil.

Remarque: Attendez 3 à 5 minutes avant d'essayer de redémarrer le réfrigérateur si l'opération a été interrompue.

CODES D'ERREUR

Si les codes d'erreur "HI", "LO" ou "CL" apparaissent sur l'affichage pendant plus de 5 minutes, une réinitialisation de l'alimentation peut corriger le problème. Débranchez l'appareil, attendez 5 minutes, puis rallumez l'appareil. Si le code d'erreur persiste après une réinitialisation, contactez le consommateur ou un agent de service agréé.

DÉGIVRER

Cet appareil est équipé d'une fonction de dégivrage automatique et ne nécessite pas de dégivrage manuel. Le dégivrage de l'eau de l'appareil est canalisé dans un tiroir situé au-dessus du compresseur. Le transfert de chaleur du compresseur provoque l'évaporation de l'eau de dégivrage.

VACANCES

- **Courtes vacances:** Laissez le unité fonctionner pendant les vacances durant moins de trois semaines.
- **Longues vacances:** Si l'unité ne doit pas être utilisé pendant plusieurs mois, retirez tout ce qu'il contient et mettez-le hors tension. Nettoyez et asséchez à fond l'intérieur. Pour éviter les odeurs et le développement de moisissures, laissez la porte entrouverte, la coincer au besoin.

DÉMÉNAGER

- Retirez tout le contenu.
- Tourner le pied de nivellement par le haut pour éviter tout dommage.
- Tape la porte fermée.
- Assurez-vous que l'appareil reste en position verticale pendant le transport. Protégez l'extérieur de l'appareil avec une couverture.
- Si l'appareil est placé sur le dos ou le côté pendant le transport, après avoir atteint la destination, laissez-le rester debout pendant 6 heures avant de le brancher pour éviter d'endommager les composants internes.

ÉLIMINATION DES DÉCHETS

Ce produit ne doit pas être traité comme un déchet domestique ordinaire, il doit être transporté au point de collecte approprié pour le recyclage des composants électriques. Pour obtenir des renseignements sur les points de collecte des déchets locaux, communiquez avec votre agence locale de traitement des déchets ou avec le bureau du gouvernement.

DÉPANNAGE

Silhouette soins du consommateur: 1-844-455-6097

Heures d'ouverture:

Lundi à Jeudi 8 h 30 à 18 h, heure normale de l'Est
Vendredi de 8 h 30 à 16 h, heure normale de l'Est

Les informations contenues dans ce manuel sont sujettes à modification sans préavis.

PROBLÈME	CAUSE POSSIBLE
L'appareil n'est pas alimenté	<ul style="list-style-type: none">• Un fusible de votre panneau de distribution peut être grillé ou le disjoncteur déclenché• La fiche n'est pas complètement insérée dans prise murale
La température interne n'est pas assez froide L'appareil fonctionne en continu Sonde d'alarme et "HI" sur l'écran d'affichage	<ul style="list-style-type: none">• Le porte n'est pas fermées correctement ou ouverte trop souvent• L'échappement est obstrué• Ajout récemment d'une grande quantité de bouteilles chaudes à l'armoire• Proximité de la source de chaleur ou de la lumière directe du soleil• La température ambiante ou l'humidité est très élevée
Condensation sur le cabinet ou la porte	<ul style="list-style-type: none">• Le porte n'est pas fermées correctement ou ouverte trop souvent• La température ambiante ou l'humidité est très élevée
Sonde d'alarme et "LO" ou "CL" sur l'écran d'affichage	<ul style="list-style-type: none">• La température ambiante est trop faible• Echec du capteur• La température de l'évaporateur est trop faible

Silhouette

GARANTIE LIMITÉE "À DOMICILE"

Cet appareil de qualité est garanti exempt de tout vice de matière première et de fabrication, s'il est utilisé dans les conditions normales recommandées par le fabricant.

Cette garantie n'est offerte qu'à l'acheteur initial de l'appareil vendu par Danby Products Limited (Canada) ou Danby Products Inc. (E.-U.A.) (ci-après « Danby ») ou par l'un des ses distributeurs agréés et elle ne peut être transférée.

CONDITIONS

Les pièces en plastique sont garanties pendant trente (30) jours seulement à partir de la date de l'achat, sans aucune prolongation prévue.

Premiers 24 mois Pendant les premiers **vingt quatre (24) mois**, toutes les pièces fonctionnelles de ce produit qui s'avèrent défectueuses seront réparées ou remplacées, selon le choix du garant, sans frais à l'acheteur initial.

Pour bénéficiaire du service S'adresser au détaillant qui a vendu l'appareil, ou à la station technique agréée de service la plus proche, où les réparations doivent être effectuées par un technicien qualifié. Si les réparations sont effectuées par quiconque autre que la station de service agréée ou à des fins commerciales, toutes les obligations de Danby en vertu de cette garantie seront annulées.

Limites de l'entretien à domicile Danby se réserve le droit de limiter les limites de "Service au domicile" à proximité d'un dépôt de service agréé. Tout appareil nécessitant un service en dehors des limites de "Service à domicile" sera la responsabilité du consommateur de transporter l'appareil à leur propres frais le point d'achat original ou un dépôt de service pour réparation. Si l'appareil est installé à plus de **100 kilomètres (62 milles)** du centre de service le plus proche, il doit être livré à l'atelier de réparation autorisé par Danby le plus proche, car l'entretien doit uniquement être réalisé par un technicien qualifié et certifié pour effectuer un entretien couvert par la garantie de Danby.

Les frais de transport entre votre domicile et le lieu de l'entretien ne sont pas couverts par la présente garantie et doivent être acquittés par l'acheteur.

Aucune partie de la garantie ne prévoit implicitement que le fabricant sera tenu responsable des dommages subis par les aliments ou d'autres types de contenu, qu'ils soient causés par la défectuosité de l'appareil ou par son usage adéquat ou inadéquat.

EXCLUSIONS

En vertu de la présente, il n'existe aucune autre garantie, condition ou représentation, qu'elle soit exprimée ou tacite, de façon manifeste ou intentionnelle, par Danby ou ses distributeurs agréés. De même, sont exclues toutes les autres garanties, conditions ou représentations, y compris les garanties, conditions ou représentations en vertu de toute loi régissant la vente de produits ou de toute autre législation ou règlement semblables. En vertu de la présente, Danby ne peut être tenue responsable en cas de blessures corporelles ou des dégâts matériels, y compris à l'appareil, quelle qu'en soit la cause. Danby ne peut pas être tenue responsable des dommages indirects dus au fonctionnement défectueux de l'appareil. En achetant l'appareil, l'acheteur accepte de mettre à couvert et de dégager Danby de toute responsabilité en cas de réclamation pour toute blessure corporelle ou tout dégât matériel causé par cet appareil.

CONDITIONS GÉNÉRALES

La garantie ou assurance ci-dessus ne s'applique pas si les dégâts ou réparations sont dus aux cas suivants:

- 1) Panne de courant.
- 2) Dommages subis pendant le transport ou le déplacement de l'appareil.
- 3) Alimentation électrique incorrecte (tension faible, câblage défectueux, fusibles incorrects).
- 4) Accident, modification, emploi abusif ou incorrect de l'appareil tel qu'une circulation d'air inadéquate dans la pièce ou des conditions de fonctionnement anormales (température extrêmement élevée ou basse).
- 5) Utilisation dans un but commercial ou industriel (à savoir, si l'appareil n'est pas installé dans un domicile résidentiel).
- 6) Incendie, dommages causés par l'eau, vol, guerre, émeute, hostilités, cas de force majeure (ouragan, inondation, etc.).
- 7) Visites d'un technicien pour expliquer le fonctionnement de l'appareil au propriétaire.
- 8) Installation inappropriée (par exemple, encastrement d'un appareil autoportant, ou utilisation extérieure d'un appareil non conçu à cet effet, y compris, mais sans s'y limiter: les garages, les patios, les porches ou ailleurs qui ne sont pas correctement isolés ou climatisés).

La preuve de la date d'achat sera requise pour les réclamations de garantie; Conserver les factures de vente. Dans le cas où un service de garantie est requis, présentez la preuve d'achat à notre dépôt de service agréé.

Service sous garantie

Service au domicile

Danby Products Limited
PO Box 1778, Guelph, Ontario, Canada N1H 6Z9
Téléphone : (519) 837-0920 Télécopieur: (519) 837-0449

1-844-455-6097

04/17

Danby Products Inc.
PO Box 669, Findlay, Ohio, U.S.A. 45840
Téléphone: (419) 425-8627 Télécopieur: (419) 425-8629

Bienvenido

Bienvenido a la familia Silhouette. Estamos orgullosos de nuestros productos de calidad y creemos en el servicio fiable. Sugerimos que lea este manual del propietario antes de conectar el nuevo aparato ya que contiene información importante sobre la operación, información de seguridad, solución de problemas y consejos de mantenimiento para garantizar la fiabilidad y longevidad de su electrodoméstico.

Visite www.SilhouetteAppliances.com para acceder a herramientas de autoservicio, preguntas frecuentes y mucho más. Para asistencia adicional, llame al **1-844-455-6097**

Tenga en cuenta la información siguiente; Necesitará esta información para obtener un servicio bajo garantía.

Debe proporcionar el recibo de compra original para validar su garantía y recibir servicio.

Número de modelo: _____

Número de serie: _____

Fecha de compra: _____

Necesitas ayuda?

Antes de llamar al servicio, aquí hay algunas cosas que puede hacer para ayudarnos a servirle mejor.

Lea este manual del propietario:

Contiene instrucciones para ayudarlo a usar y mantener su aparato correctamente.

Si recibe un aparato dañado:

Inmediatamente póngase en contacto con el minorista o el constructor que le vendió el aparato.

Ahorre tiempo y dinero:

Consulte la sección de solución de problemas al final de este manual antes de llamar. Esta sección le ayudará a resolver problemas comunes que pueden ocurrir.



1-844-455-6097



Importantes Instrucciones de Seguridad

LEA Y SIGA TODAS LAS INSTRUCCIONES DE SEGURIDAD

REQUERIMIENTOS DE SEGURIDAD

PELIGRO: Riesgo de incendio o explosión. Refrigerante inflamable usado. No perforar la tubería del refrigerante.

- No utilice dispositivos mecánicos para descongelar el refrigerador.
- Asegúrese de que el personal de mantenimiento autorizado por la fábrica haga el mantenimiento para minimizar los daños o problemas de seguridad del producto.

ADVERTENCIA: Mantenga las aberturas de ventilación, en la caja del aparato o en la estructura incorporada, sin obstrucción.

ADVERTENCIA: No utilice dispositivos mecánicos u otros medios para acelerar el proceso de descongelación, distintos de los recomendados por el fabricante.

ADVERTENCIA: No dañar el circuito refrigerante.

ADVERTENCIA: No utilice electrodomésticos dentro de los compartimentos de almacenamiento de alimentos del aparato, a menos que sean del tipo recomendado por el fabricante.

PRECAUCIÓN: Riesgo de incendio o explosión. Refrigerante inflamable usado.

- Consulte el manual de reparación o la guía del propietario antes de intentar reparar este producto. Todas las precauciones de seguridad deben ser seguidas.
- Deseche adecuadamente de acuerdo con las regulaciones federales o locales.
- Siga cuidadosamente las instrucciones de manipulación.

PRECAUCIÓN: Los niños deben ser supervisados para asegurarse de que no juegan con el aparato.

PELIGRO: Riesgo de atrapamiento de niños. Antes de tirar un electrodoméstico viejo:

- Retire la puerta o la tapa.
- Deje los estantes en su lugar para que los niños no puedan subir fácilmente dentro.

REQUERIMIENTOS DE SEGURIDAD

Este aparato no está diseñado para ser usado por personas (incluyendo niños) cuyas capacidades físicas, sensoriales o mentales pueden ser diferentes o reducir, o que carecen de experiencia o conocimiento, a menos que dichas personas reciban supervisión o entrenamiento para operar el aparato por una persona responsable de su la seguridad.

INSTRUCCIONES DE CONEXION A TIERRA

Este aparato debe estar conectado a tierra. La puesta a tierra reduce el riesgo de descarga eléctrica proporcionando un cable de escape para la corriente eléctrica.

Este aparato tiene un cable que tiene un cable de conexión a tierra con un enchufe de 3 clavijas. El cable de alimentación debe estar enchufado en un tomacorriente que esté debidamente conectado a tierra. Si el tomacorriente es un enchufe de pared de 2 terminales, debe ser reemplazado por un tomacorriente de pared de 3 clavijas debidamente conectado a tierra. La placa de características en serie indica el voltaje y la frecuencia que el aparato está diseñado para.

ADVERTENCIA - El uso incorrecto del enchufe de conexión a tierra puede resultar en un riesgo de descarga eléctrica. Consulte a un electricista calificado o agente de servicio si las instrucciones de conexión a tierra no se entienden completamente o si existe duda sobre si el aparato está debidamente conectado a tierra.

No conecte el aparato a los cables de extensión ni con otro aparato en la misma toma de corriente. No empalme el cable de alimentación. No corte ni extraiga en ningún caso la tercera clavija de tierra del cable de alimentación. No utilice cables de extensión ni adaptadores sin conexión a tierra (dos clavijas).

Si el cable de alimentación está dañado, debe ser reemplazado por el fabricante, su agente de servicio o persona calificada similar para evitar riesgos.

¡GUARDE ESTAS INSTRUCCIONES!

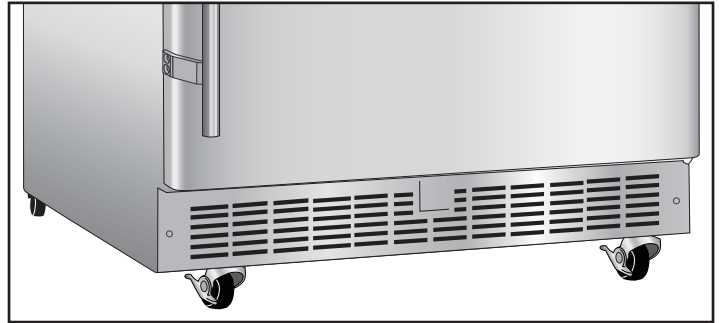
INSTRUCCIONES DE INSTALACIÓN

UBICACIÓN

- Se deben utilizar dos personas al mover el aparato.
- Retire el embalaje interior y exterior antes de la instalación. Limpie el exterior del aparato con un paño suave y seco y el interior con un paño húmedo tibio.
- Coloque el aparato sobre un suelo lo suficientemente fuerte como para soportarlo cuando esté completamente cargado.
- Antes de conectar el aparato a una fuente de alimentación, déjelo en posición vertical durante aproximadamente 6 horas. Esto reducirá la posibilidad de que el sistema de refrigeración funcione mal durante el transporte.
- Este aparato tiene una altura de 23.8 pulgadas (60.5 cm) por 34.7 pulgadas (88 cm) de alto (cuando está instalado con patas niveladoras) por 25.9 pulgadas (65.7 cm) de profundidad. Asegúrese de dejar el espacio mínimo entre el aparato y todas las paredes y respiraderos circundantes.
- Se incluyen ruedas con este aparato. Si las ruedas se instalan, la altura aumenta a 36.4 pulgadas (92.5 cm).
- **ADVERTENCIA:** Para evitar el riesgo debido a la inestabilidad del aparato, debe fijarse de acuerdo con las instrucciones.
- Mantenga el material y los vapores inflamables como la gasolina lejos del aparato. Utilice únicamente limpiadores no inflamables.
- Este aparato está destinado a ser utilizado en hogares o campamentos y situaciones similares tales como:
 - Áreas de cocina del personal en tiendas, oficinas y otros entornos de trabajo;
 - Casas de campo y por clientes en hoteles, moteles y otros entornos de tipo residencial;
 - Ambientes tipo bed and breakfast;
 - Servicios de catering y aplicaciones no comerciales similares;
 - Este aparato no debe exponerse a la lluvia.
- No sobrecargue el aparato.

RESPIRADERO FRONTAL

Este aparato es la respiración delantera. No bloquee la salida de aire frontal, ya que esto resultará en altas temperaturas de funcionamiento, mayor consumo de energía y posible sobrecalentamiento y fallo del sistema.



INSTRUCCIONES DE NIVELACIÓN

Hay un pie ajustable en la parte inferior del aparato que se puede subir o bajar para asegurarse de que el aparato esté nivelado.

1. Gire el pie de nivelación en sentido antihorario hasta el tope, hasta que la parte superior del pie toque la parte inferior del armario.
2. Gire lentamente el pie de nivelación en el sentido de las agujas del reloj hasta que el aparato esté nivelado.

LÍMITES DE TEMPERATURA AMBIENTE PARA USO AL EXTERIOR

No instale este aparato en un lugar donde la temperatura caiga por debajo de los 41°F (5°C) o por encima de los 109°F (43°C).

El funcionamiento del aparato a una temperatura ambiente demasiado fría puede provocar que el compresor se apague durante demasiado tiempo, provocando que la temperatura interna del aparato se eleve, lo que puede provocar la pérdida de contenido.

Para un mejor rendimiento, no instale el aparato detrás de una puerta del armario ni bloquee el respiradero frontal.

INSTRUCCIONES DE INSTALACIÓN

PREPARAR EL RECINTO

Se deben usar guantes y gafas de seguridad durante la instalación.

No se recomienda instalar el aparato en una esquina o directamente al lado de una pared. La puerta tendrá que abrirse más de 90° para permitir la extensión completa de los estantes. Si es necesario colocar la unidad cerca de una pared o en una esquina, deje al menos 2-4 pulgadas (5-10 cm) de espacio entre la pared y el aparato para permitir la apertura de la puerta.

La abertura del gabinete debe tener al menos 24 pulgadas (61 cm) de ancho por 25 pulgadas (63.5 cm) de profundidad.

Si el aparato va a ser construido con el pie de nivelación, la altura de la abertura debe ser de al menos 35 pulgadas (88.9 cm).

Si el aparato se instala con las ruedas instaladas, la altura de la abertura debe ser de al menos 37 pulgadas (94 cm).

Nota: El requisito de profundidad de la lista se supone que la toma de corriente eléctrica se encuentra en el gabinete adyacente o empotrado en la pared posterior, no montado en superficie dentro del recinto.

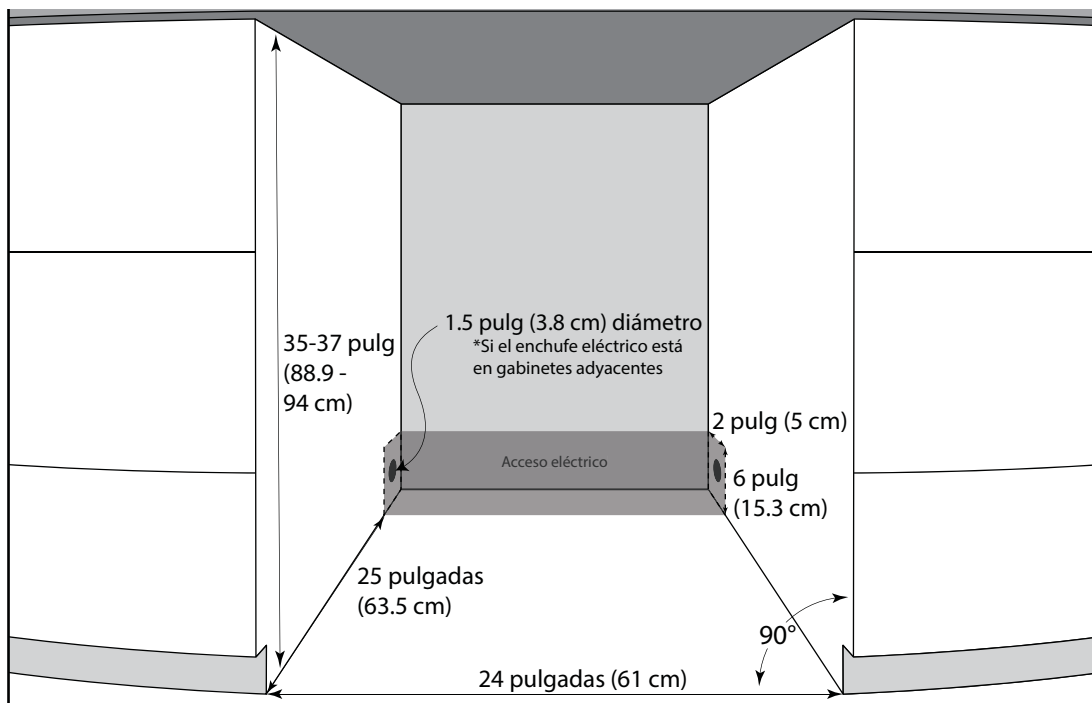
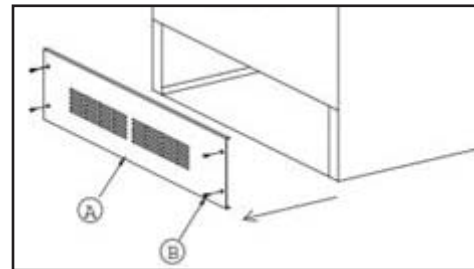
Si el tomacorriente se encuentra dentro de gabinetes adyacentes, corte un orificio de 1.5 pulgadas (3.8 cm) de diámetro para admitir el cable de alimentación. Si la pared del armario es metálica, el borde del agujero debe estar cubierto con un casquillo o arandela.

HERRAMIENTAS REQUERIDAS

- Gafas de seguridad
- Guantes
- Cinta métrica
- Escuadra de carpintero
- Nivel
- Linterna
- Taladro u juego de sierra perforadora

DESMONTAJE DE LA CUBIERTA DEL COMPRESOR

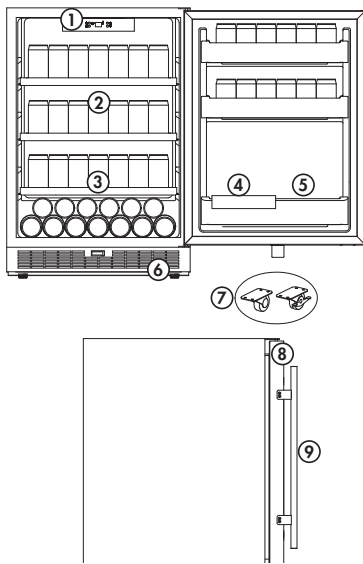
Si el aparato se instala en un armario, primero debe quitarse la cubierta de la carcasa del compresor. Esto es para permitir que el flujo de aire alrededor del compresor para que no sobre el calor. Mantenga la cubierta y los tornillos en un lugar seguro para que puedan ser utilizados de nuevo en el futuro si es necesario.



INSTRUCCIONES DE OPERACIÓN

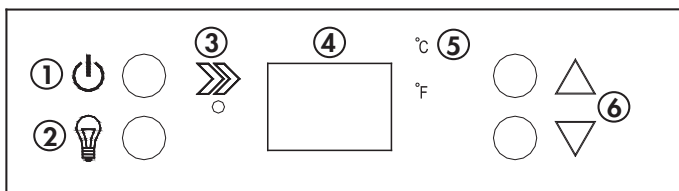
CARACTERÍSTICAS

1. Pantalla y controles electrónicos
2. Estantes de vidrio de tamaño completo con ajuste de acero inoxidable
3. Estante de vidrio de tamaño medio con ajuste de acero inoxidable
4. Tirantes de estantería
5. Almacenamiento de botellas altas
6. Pata de nivelación
7. Ruedas
8. Puerta envuelta en acero inoxidable con aislante de espuma
9. Mango de barra para toallas de acero inoxidable



CONTROL DE TEMPERATURA

1. **Botón de encendido:** Mantenga presionado este botón durante 3 segundos para encender o apagar el aparato.
2. **Botón de luz**
3. **Luz de encendido:** La luz indicadora se ilumina para indicar que el modo de refrigeración está en funcionamiento.
4. **Pantalla para la temperatura:** Muestra la temperatura interna actual.
5. **°C / °F:** El indicador indica la escala de temperatura que se está visualizando actualmente.
6. **Botones arriba y abajo:** Se utiliza para aumentar o disminuir la temperatura ajustada en incrementos de 1°.



INSTRUCCIÓN DE FUNCIÓN

El ajuste de temperatura predeterminado es 43°F (6°C). La escala de temperatura predeterminada es °F.

Para cambiar la visualización entre °F y °C presione simultáneamente los botones de temperatura superior e inferior durante aproximadamente 3-5 segundos.

La temperatura se puede ajustar tan bajo como 36°F (2°C) o tan alto como 50°F (10°C).

La temperatura real dentro del aparato puede variar en función de la temperatura ambiente, la frecuencia con la que se abre la puerta y el número de botellas calientes que se han añadido recientemente al aparato.

Cada presión de los botones de temperatura superior o inferior ajustará la temperatura de esa zona en incrementos de 1°.

Alarma de puerta abierta: Si la puerta no se cierra por completo durante 5 minutos, sonará una alarma. Cierre la puerta para silenciar la alarma.

Si la puerta está cerrada y la alarma sigue sonando, verifique que el actuador en la parte inferior de la puerta esté en contacto con el interruptor del aparato.

Memoria de Temperatura: Si el aparato pierde potencia, el panel de control recordará la temperatura ajustada. Una vez restablecida la alimentación, el aparato volverá a funcionar de forma automática.

Alarma de Temperatura: Si la temperatura interna del gabinete es superior a 73°F (23°C) durante una hora, el código de error "HI" aparecerá en el panel de la pantalla y sonará una alarma.

Si la temperatura interna del gabinete es inferior a 28°F (-1°C) el código de error "LO" aparecerá en el panel de la pantalla y sonará una alarma.

Si la temperatura interna del gabinete permanece a 28°F (-2°C) durante más de 30 minutos, el código de error "CL" aparecerá en el panel de la pantalla y sonará una alarma. El aparato dejará de funcionar para evitar que el contenido se congele.

Luz interior: Por defecto, la luz interior se enciende y se apaga cuando se abre o se cierra la puerta.

Presione el botón de luz una vez para apagar la luz mientras la puerta está abierta. La luz volverá a funcionar por defecto cuando la puerta esté cerrada.

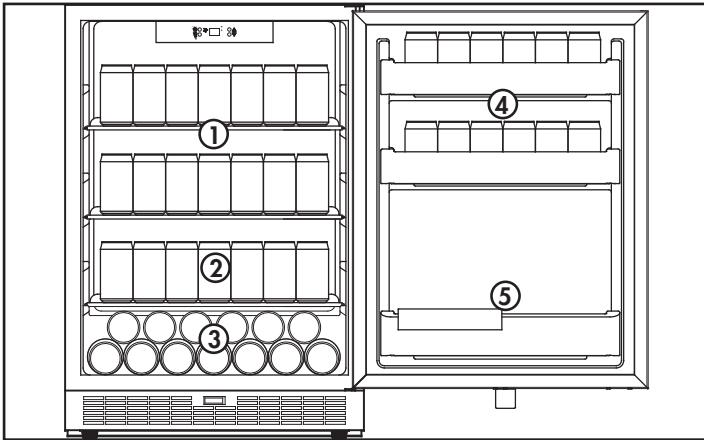
INSTRUCCIONES DE OPERACIÓN

INSTRUCCIONES DE ALMACENAMIENTO

Este aparato puede contener un máximo de 123 latas de bebidas en un tamaño de 355 ml.

1. Los dos estantes superiores pueden contener cada uno 35 latas.
2. El medio estante puede contener 28 latas.
3. El fondo puede contener 13 latas.
4. Cada estante de la puerta puede sostener 6 latas.
5. El alto estante de almacenamiento de botellas puede contener 2 botellas de bebidas en 2 litros de tamaño.

Nota: Puede ser necesario quitar los tirantes del estante de almacenamiento de botellas de 2 litros.

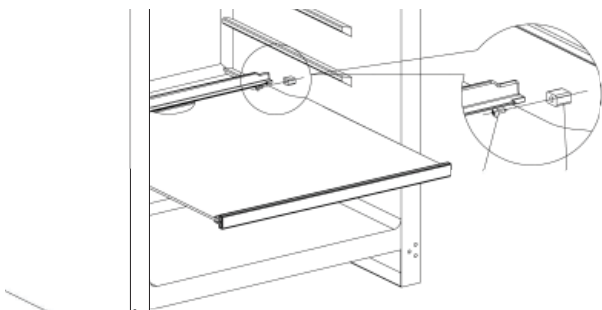


INSTRUCCIONES DEL ESTANTE

Para quitar una estantería de su posición bloqueada, retire los tapones de la repisa ubicados a ambos lados de la repisa.

Para reemplazar un estante, asegúrese de que el estante esté descansando firmemente en los soportes de soporte y empuje hacia dentro hasta que encaje en su lugar.

Nota: No cubra los estantes con papel de aluminio ni ningún otro material que evite la circulación de aire dentro del aparato, ya que esto puede afectar negativamente a la temperatura interna.

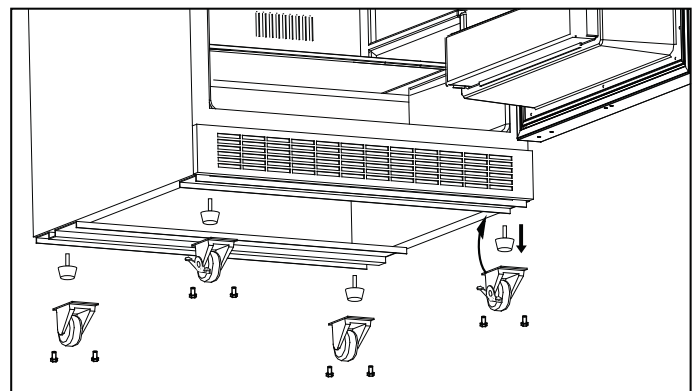


INSTALACIÓN DE LAS RUEDAS

Para reducir el riesgo de lesiones personales o daños a la propiedad, desenchufe el aparato y utilice dos personas para completar la instalación del lanzador.

1. Coloque el aparato sobre su espalda. Proteger el suelo y la parte trasera del aparato de daños causados por la colocación del aparato sobre una toalla o una manta.
2. Retire los tres pies sólidos. Desenrosque el pie nivelador. Mantenga los pies sólidos y el pie nivelador en un lugar seguro para uso futuro.
3. Instale las ruedas sin bloqueo en la parte posterior del aparato.
4. Instale las ruedas de bloqueo en la parte frontal del aparato.

Nota: Una vez completada la instalación de la máquina, se debe permitir que el aparato se mantenga erguido durante 6 horas antes de enchufarlo para evitar dañar los componentes internos.



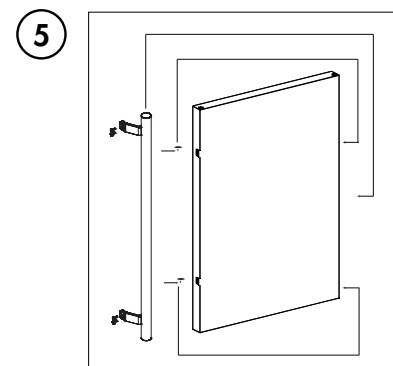
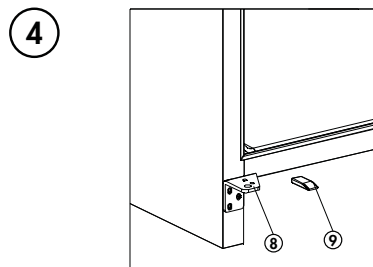
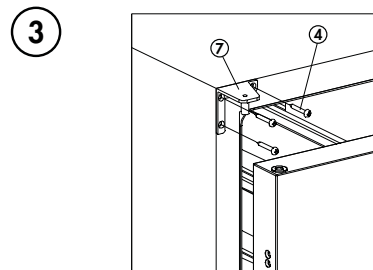
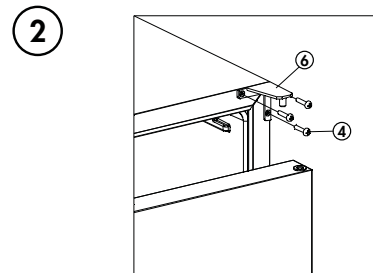
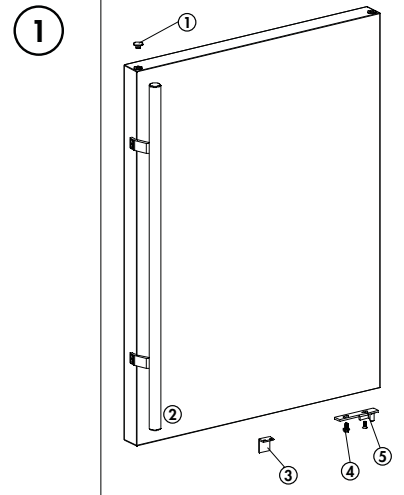
INSTRUCCIONES DE OPERACIÓN

INSTRUCCIONES DE REVERSIÓN DE PUERTA

Si el aparato se coloca en su parte posterior o lateral durante un período de tiempo prolongado durante este proceso, se debe permitir que permanezca erguido durante 6 horas antes de enchufarlo para evitar daños a los componentes internos.

1. Abra la puerta a un ángulo de 90° y retire los dos tornillos del eje de la puerta. Deslice la parte inferior de la puerta hacia afuera para sacarla del chasis. Retire la cubierta del agujero de la bisagra del lado izquierdo superior de la puerta e instálela en el lado derecho.
2. Retire la bisagra superior derecha.
3. Retire las cubiertas del orificio de tornillo de la parte superior izquierda del chasis e instale la bisagra superior derecha. Coloque las tapas de los orificios de los tornillos en los orificios de los tornillos en el lado derecho del chasis.
4. La bisagra inferior izquierda está preinstalada en el chasis. Retire el soporte de la puerta de la bisagra inferior izquierda e instálelo en la bisagra inferior derecha.
5. Instale la puerta en la bisagra superior izquierda y fije la puerta a la bisagra izquierda inferior usando el eje de la puerta. Antes de apretar los tornillos, asegúrese de que la parte superior de la puerta esté nivelada con la parte superior del chasis, que el actuador esté en contacto con el interruptor de luz en la parte inferior del chasis y que la junta de goma esté haciendo un buen sellado con el gabinete el camino alrededor.
6. Mueva la manija de la puerta del lado izquierdo de la puerta hacia el lado derecho.

1. Cubierta del agujero de la bisagra
2. Manija de la puerta
3. Solenoide
4. Empulgueras
5. Eje de puerta
6. Bisagra superior derecha
7. Bisagra superior izquierda
8. Bisagra izquierda inferior
9. Soporte de puerta



CUIDADO Y MANTENIMIENTO

LIMPIEZA

Asegúrese de que la unidad esté desenchufada antes de limpiar cualquier parte del aparato.

- Para limpiar el interior del aparato, utilice un paño suave y una solución de una cucharada de bicarbonato de sodio a un litro de agua o una solución de jabón suave o algún detergente suave.
- Lave los estantes removibles en una solución de detergente suave, luego seque y limpie con un paño suave.
- Limpie el exterior con un paño suave y húmedo y un poco de detergente suave.
- Es importante mantener el área limpia donde la puerta sella contra el gabinete. Limpie este área con un paño jabonoso. Enjuague con un paño húmedo y deje secar.

Nota: No utilice limpiadores que contengan amoníaco o alcohol en el aparato. El amoníaco o el alcohol pueden dañar el aspecto del aparato. Nunca utilice limpiadores comerciales o abrasivos ni objetos afilados en ninguna parte del aparato.

FALLO DE ALIMENTACIÓN

La mayoría de las fallas de alimentación se corrigen en pocas horas y no deben afectar la temperatura de su aparato si minimiza el número de veces que se abre la puerta. Si la alimentación va a estar apagada por un período de tiempo más largo, tome las medidas apropiadas para proteger su contenido.

Nota: Espere de 3 a 5 minutos antes de intentar reiniciar el refrigerador si se ha interrumpido la operación.

CÓDIGOS DE ERROR

Si los códigos de error "HI", "LO" o "CL" aparecen en la pantalla durante más de 5 minutos, un restablecimiento de alimentación puede solucionar el problema. Desconecte el aparato, espere 5 minutos y vuelva a enchufar la unidad. Si el código de error persiste después de un reinicio de corriente, póngase en contacto con el servicio de atención al consumidor o un agente de servicio autorizado.

DESCONGELAR

Esta unidad está equipada con una función de descongelación automática y no requiere descongelación manual. El agua de descongelación del aparato se canaliza en una bandeja de goteo situada por encima del compresor. La transferencia de calor desde el compresor hace que el agua de descongelación se evapore.

VACACIONES

- **Vacaciones cortas:** Deje el aparato en funcionamiento durante las vacaciones de menos de tres semanas.
- **Largas vacaciones:** Si el aparato no se va a utilizar durante varios meses, retire todos los artículos y apague el aparato. Limpie y seque el interior a fondo. Para evitar el olor y el moho, deje la puerta ligeramente abierta, bloqueándola si es necesario.

MUDARSE

- Quite todo el contenido.
- Gire el pie de nivelación para evitar daños.
- Cierre la puerta cerrada.
- Asegúrese de que el aparato permanezca en posición vertical durante el transporte. Proteja el exterior del aparato con una manta.
- Si el aparato se coloca en su parte posterior o lateral durante el transporte, al llegar al destino, déjelo en posición vertical durante 6 horas antes de conectarlo para evitar daños a los componentes internos.

DISPOSICIÓN

Este aparato no puede ser tratado como un residuo doméstico normal, sino que debe ser llevado al punto de recogida de residuos apropiado para el reciclaje de componentes eléctricos. Para obtener información sobre los puntos de recogida de residuos locales, póngase en contacto con la agencia local de eliminación de residuos o con la oficina gubernamental.

SOLUCIÓN SUGERIDA

Silhouette cuidado del consumidor: 1-844-455-6097

Horas de operación:

Lunes a Jueves 8:30 am - 6:00 pm Hora estándar del este

Viernes 8:30 am - 4:00 pm Hora estándar del este

La información de este manual está sujeta a cambios sin previo aviso.

PROBLEMA	POSSIBLE CAUSA
No funciona	<ul style="list-style-type: none">• Un fusible en su casa puede soplarse o el interruptor de circuito disparado• El enchufe no está completamente insertado en la toma de corriente
La temperatura interna no es lo suficientemente fría El aparato funciona continuamente Sonido de alarma y "HI" en el panel de visualización	<ul style="list-style-type: none">• La puerta no se cierra correctamente o se abre demasiado• El respiradero de escape está obstruido• Recientemente se agregó una gran cantidad de botellas calientes al gabinete• Muy cerca de la fuente de calor o de la luz solar directa• La temperatura ambiente o la humedad es muy alta• Posible pérdida del sistema, fallo del ventilador del evaporador o falla del compresor
Condensación en el armario o en la puerta	<ul style="list-style-type: none">• La puerta no se cierra correctamente o se abre demasiado• La temperatura ambiente o la humedad es muy alta
Sonido de alarma y "LO" o "CL" en el panel de visualización	<ul style="list-style-type: none">• La temperatura ambiente es excesivamente baja• Error del sensor• La temperatura del evaporador es demasiado baja

Silhouette

GARANTÍA LIMITADA "A DOMICILIO"

Este producto de calidad está garantizado contra defectos de fabricación, incluyendo partes y mano de obra, siempre y cuando la unidad se utilice bajo las condiciones normales de funcionamiento para las que fue diseñado. Esta garantía está solamente disponible para la persona que haya comprado originalmente esta unidad directamente de Danby Products Limited (Canada) o Danby Products Inc. (U.S.A.) (en adelante "Danby") o uno de sus distribuidores autorizados, y no es transferible.

CONDICIONES DE LA GARANTÍA

Las piezas plásticas, se autorizan por treinta (30) días solamente a partir de la fecha de la compra, sin las extensiones proporcionadas.

Primeros 24 meses Durante los primeros **veinticuatro (24) meses**, cualquier parte en buen estado de este producto que resulte defectuosa, incluyendo cualquier sistema sellado, será reparado o reemplazado, a opción del fabricante, sin cargo para el comprador original.

Para obtener servicio Comuníquese con el distribuidor donde haya comprado la unidad, o llame al Taller de Servicio Autorizado más cercano, donde debe ser reparada por un técnico calificado. Si esta unidad es reparada en otro lugar que no sea un Taller de Servicio Autorizado, o si la unidad se utiliza para aplicaciones comerciales, Danby no se hará responsable de ninguna forma y la garantía será anulada.

Límites del servicio técnico a domicilio Danby se reserva el derecho de limitar la cobertura de "Servicio en Domicilio" sujeto a la proximidad de un **Taller de Servicio Autorizado**. Para todo artefacto que requiera servicio fuera del área limitada de "Servicio en Domicilio", el cliente será responsable por transportar dicho artefacto hasta el Taller de Servicio Autorizado más cercano. Si el electrodoméstico está instalado en un lugar que se encuentra a **100 kilómetros (62 millas)** o más del centro de servicios más cercano, se debe llevar la unidad al Centro de servicios Danby autorizado más cercano, ya que dicho servicio sólo puede realizarlo un técnico calificado y certificado por Danby para prestar servicios de garantía.

Los cargos por transporte desde y hacia el lugar en que se efectúe el servicio técnico no están cubiertos por esta garantía y son de responsabilidad del comprador.

Nada dentro de esta garantía implica que Danby será responsable por cualquier daño que hayan sufrido los alimentos u otros contenidos de este aparato, ya sea debido a un defecto del aparato, o su uso, adecuado o inadecuado.

EXCLUSIONES

Salvo lo aquí indicado por Danby, no existen otras garantías, condiciones o representaciones, explícitas o implícitas, concretas o intencionales por parte de Danby o sus distribuidores autorizados y todas las demás garantías, condiciones o representaciones, incluyendo cualquier garantía, condiciones o representaciones bajo cualquier Acta de Venta de Productos o legislación o estatuto similar, quedan de esta forma expresamente excluidas. **Salvo lo aquí indicado, Danby no serán responsables por ningún daño a personas o bienes, incluyendo la propia unidad, sin importar su causa, o de ningún daño indirecto causado por el desperfecto de la unidad, y al comprar esta unidad, el comprador acepta por la presente, indemnizar y proteger a Danby contra cualquier reclamo por daños a personas o bienes causados por la unidad.**

CONDICIONES GENERALES

No se considerará ninguna de estas garantías o seguros cuando el daño o la necesidad de reparación sea el producto de los siguientes casos:

- 1) Falla del suministro eléctrico.
- 2) Daños en tránsito o durante el transporte de la unidad.
- 3) Alimentación incorrecta, como bajo voltaje, instalación eléctrica defectuosa o fusibles inadecuados.
- 4) Accidente, modificación, abuso o uso incorrecto del artefacto, tal como insuficiente ventilación del ambiente o condiciones de operación anormales (temperatura ambiente extremadamente alta o baja).
- 5) Utilización comercial o industrial (v.g., si el electrodoméstico no está instalado en una vivienda particular).
- 6) Incendio, daños por agua, robo, guerra, disturbios, hostilidades, actos de fuerza mayor como huracanes, inundaciones, etc.
- 7) Pedidos de servicio debido a desinformación del usuario.
- 8) Instalación inadecuada (v.g., instalación empotrada de un electrodoméstico diseñado como unidad independiente o uso de un electrodoméstico al aire libre que no esté aprobado para dicho fin, incluyendo pero no limitado a: garajes, patios, porches o en cualquier lugar que no esté bien aislado o controlado por el clima).

Se requerirá una prueba de la fecha de compra para reclamaciones de garantía; Retener las facturas de venta. En el caso de que se requiera servicio de garantía, presente el comprobante de compra a nuestro depósito de servicio autorizado.

Servicio de Garantía
Servicio en Domicilio

Danby Products Limited
PO Box 1778, Guelph, Ontario, Canada N1H 6Z9
Telephone: (519) 837-0920 FAX: (519) 837-0449

1-844-455-6097
04/17

Danby Products Inc.
PO Box 669, Findlay, Ohio, U.S.A. 45840
Telephone: (419) 425-8627 FAX: (419) 425-8629

Silhouette
PROFESSIONAL^{TM/MC}

Model • Modèle • Modelo
DAR055D1BSSPRO